

PRO DUCT

MUDGUARDS / ANTISPRAY / ACCESSORIES

CATA LOGUE



CONTENTS

| | |
|---|----|
| Company presentation | 4 |
| Range of mudguards | 6 |
| Choose mudguard based on wheel size | 9 |
| How to identify your HBN mudguard | 10 |
| Mudguards sorted by radius..... | 12 |
| Notes | 27 |
| STEERFLEX mudguard for steering axle | 28 |
| FLATFLEX flattop mudguard..... | 29 |
| RIMFLEX solution for triple axles | 30 |
| Antispray protection systems | 32 |
| How to understand the article number of antispray | 34 |
| SPRAYFLEX antispray, advantages..... | 36 |
| Logo on antispray | 37 |
| CUPFLEX fixation..... | 38 |
| TOPFLEX, MAXFLEX, EASYFLEX mudguard holders | 40 |
| Mudguard stays..... | 42 |
| Packaging..... | 43 |
| Tailor made mudguards..... | 44 |
| Development competences..... | 46 |
| Air spring pistons | 48 |
| ISTOFLEX and GREENFLEX Mudguard Finder | 50 |
| Mudguard specifications | 61 |
| Contact HBN-Teknik A/S | 63 |

HBN-TEKNIK A/S

YOUR SPECIALIST IN COMPOSITE MATERIALS

HBN-Teknik A/S was founded in 1974 in Ringsted, Denmark by the entrepreneur Heine B. Nielsen (HBN), who started to manufacture metal fittings and hydraulic tanks for Trucks & Trailers.

In 1982 the company was acquired by the BPW Group, the world's leading manufacturer of intelligent running gear systems for trailers and semi-trailers, and had since then changed its strategy from being a traditional steel manufacturer to be an entrepreneurial company within research, development and manufacturing of products in composite material.

The new strategy lead to one of the world's first injection moulded mudguards in 1986, to integrated antispray solutions in 1994 and to new innovative air spring pistons in 2003.



The brands of the BPW Group



Advanced chassis systems and an allround service portfolio for safe and efficient transport processes



Modular and reliable lighting and cable systems for universal applications



Innovative plastic technologies for effective weight optimisation



Dependable fasteners and superstructure technology for maximum safety



Individual, modular and manufacturer-independent **telematics systems for truck and trailer**



COMPREHENSIVE RANGE OF MUDGUARDS

HBN-Teknik A/S offers two wide ranges of mudguards, **ISTOFLEX®** and **GREENFLEX®** respectively, which both are manufactured in environmentally friendly materials and offer resistance to tearing, oils and the effects of weather.

The choice of material eases the assembly of the mudguard as the span can be easily adjusted ± 50 mm without deformation of the mudguard edge.

ISTOFLEX® mudguards are made of a premium polypropylene raw material added a rubber compound, giving excellent properties and ensures dimensional stability – even at temperatures of up to 120°C and impact resistance right down to -40°C.

ISTOFLEX® mudguards are recommended for demountable container vehicles, tippers, road tankers, log carriers and trailers driving under extreme conditions and has been proven on off-road and timber trucks in northern Scandinavia as well as on road tankers transporting oil and chemicals.





GREENFLEX® mudguards are made of an environmentally recycling compatible polypropylene raw material added a rubber compound – a strong combination which makes the mudguards dimensionally stable even at temperatures of up to 80°C and impact proof down to -30°C. **GREENFLEX®** mudguards are recommended for all commercial trailers.

YOU KNOW IT IS A HBN MUDGUARD WHEN YOU SEE THE DUO-LINE

Mudguards from HBN can also be equipped with a white line, in fact we go further by adding two lines. The appealing decoration solution called Duo-Line elegantly frames either the product- or the customer name and gives at the same time a modern look.

COMMON PRODUCT FEATURES:

Both ISTOFLEX® and GREENFLEX® mudguards are available in black colour in full-size, half-size or quarter-size for both single and twin fitting.

- ! Precision injection moulding secures dimensionally stable mudguards with fine tolerances
- ! Impact proof at extreme temperatures
- ! Flexible summer and winter
- ! Resistant to tearing, oil and UV secures a long life
- ! Adjustable span ± 50 mm without deformation of the mudguard edge

As standard all mudguards are either delivered with Istoflex- or Greenflex brand in the center of the mudguard, however it is also possible to change this to a company name if requested.

ISTOFLEX and GREENFLEX
can be delivered with the
characteristic dual-stripe called
Duo-Line and center logo.



HOW TO SELECT CORRECT MUDGUARD

How to interpret the tire size.

To describe the meaning of a tire size code, a tire size 385/65 R22.5 is used as an example, but observe that exceptions to the explanation exist:

1. Nominal tire width in mm (385)
2. Aspect ratio of the tire (65)
3. Tire construction (R)
4. RIM dimension (22.5)



385 Nominal section width of the tire in millimeters. The width of the mudguard must be wider than the width of the tire(s).

65 Aspect ratio of the tire, measured as: $\frac{\text{Tire height} \times 100}{\text{tire width}}$

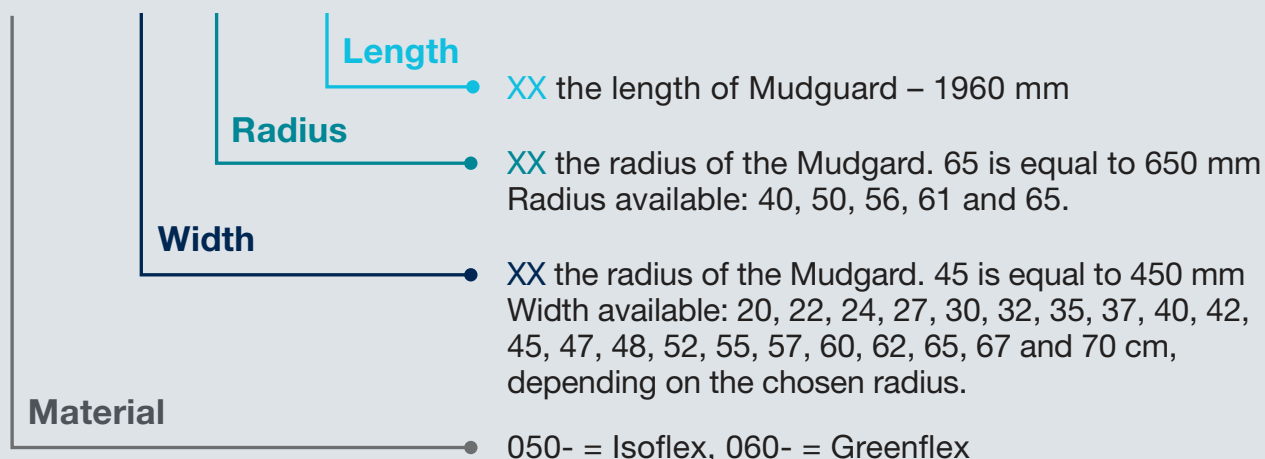
22.5 Nominal diameter of the rim to which the tire is to be fitted, normally shown in inches.

HBN MUDGUARD

ARTICLE NO.

The article number of HBN mudguards contains type of material, sizes and many more details. Below is explained how you easily identify your HBN mudguard. As an example below, the article code 060-45651960 is used.

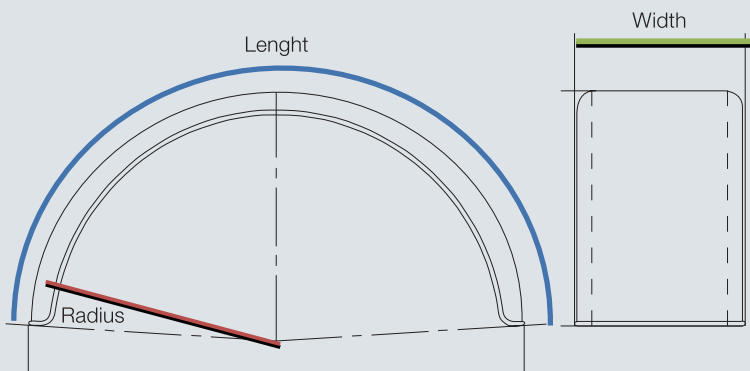
060-45651960-XX



Articles code basically consists of 8 digits, followed by a combination of additional codes to precisely identify each mudguard.

Detailed description overview:

- 01 Mudguard with slit for Topflex holder
- 01AC Mudguard with slit for Topflex and Cupflex
- 15AC Mudguard with slit for Topflex, Antispray w/Cupflex
- 02 Mudguard with slit for Topflex, other pos.
- 10 Mounted with Topflex holder
- 016 Mudguard with slit for Maxflex holder
- 0160 Mudguard with slit for Maxflex, other pos.
- 19 SPAT Mudguard with black steel Topflex
- 100 Mounted with Maxflex holder
- 200 Mounted with Maxflex, white Duo-Line stripes
- 200AC With Maxflex, Duo-Line stripes, Antispray, Cupflex
- 20 Topflex with Duo-Line white stripes
- 30 Duo-Line white stripes
- A Antispray mounted with bolts/nuts
- AC Antispray with Cupflex
- ACXX Antispray with Cupflex, XX = Customer logo
- AC1 Antispray with Cupflex, other pos.
- AXX Antispray with bolts/nuts, XX = Customer logo
- 9 Mega pallet 2400 mm (Trailer)
- 99 Mega pallet 2200 mm (Container)
- 192 Steel Topflex holder
- 150 Mudguard with Maxflex, mega pallet
- 160 Mudguard with holes for Maxflex holder and Cupflex
- 65 Mudguard mounted with Easyflex
- 0AC Mudguard with holes for Cupflex
- 11 Mudguard with Topflex, other pos.
- 21 Mudguard with Duo-Line stripes, Topflex, other pos.
- P Mudguard in plastic bag
- 57 Spat Mudguard, not mounted
- 58 Spat Mudguard with holder
- 59 Spat Mudguard with holder and Antispray
- S Mudguard mounted with mudflap



Width, length and radius of the mudguard.

After the article code, further description of a mudguard solution is included. The description can consist of a combination meaning, that "10-AC" e.g. describes a solution with Topflex holders and antispray mounted with Cupflex.

ABC classification:

When ordering HBN mudguard solutions, always contact your local BPW sales company.

If articles are ordered from HBN, expected delivery time is defined for each article and presented by an ABC classification as seen in the table.

On the following pages, our standard mudguard program is presented inclusive corresponding drawings.

| GRP | EXPECTED DELIVERY TIME |
|-----|------------------------|
| A | 3 weeks |
| B | 4 weeks |
| C | 5-6 weeks |
| D | Ask us |

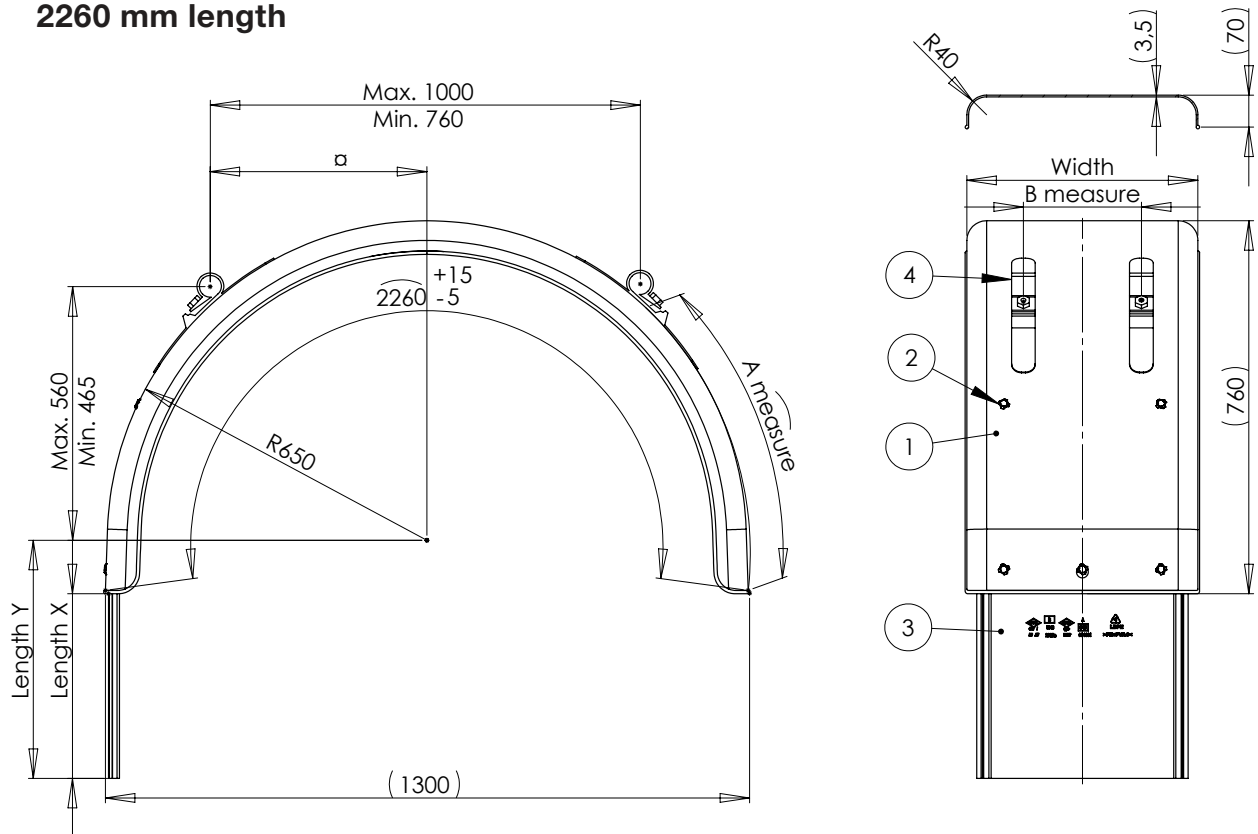
HBN standard mudguard range.

On the following pages, the standard HBN mudguard solutions are shown, but contact HBN Customer Center in case you cannot find a solution to fit your needs.

If Istoflex quality is needed, simply add "050-" before the article number and "060-" for Greenflex quality.

650 MM RADIUS FULL MUDGUARD

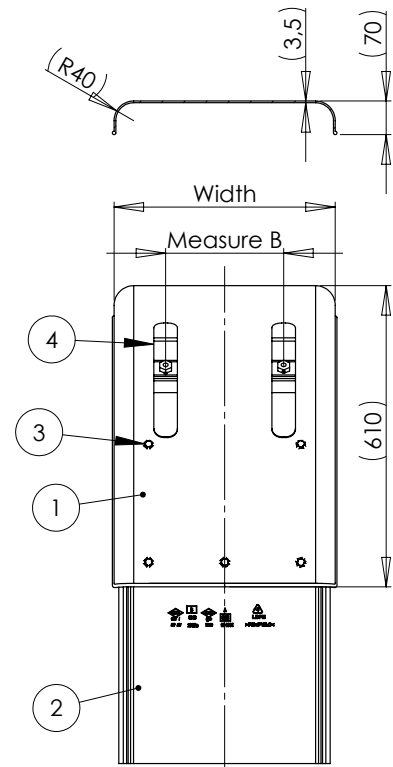
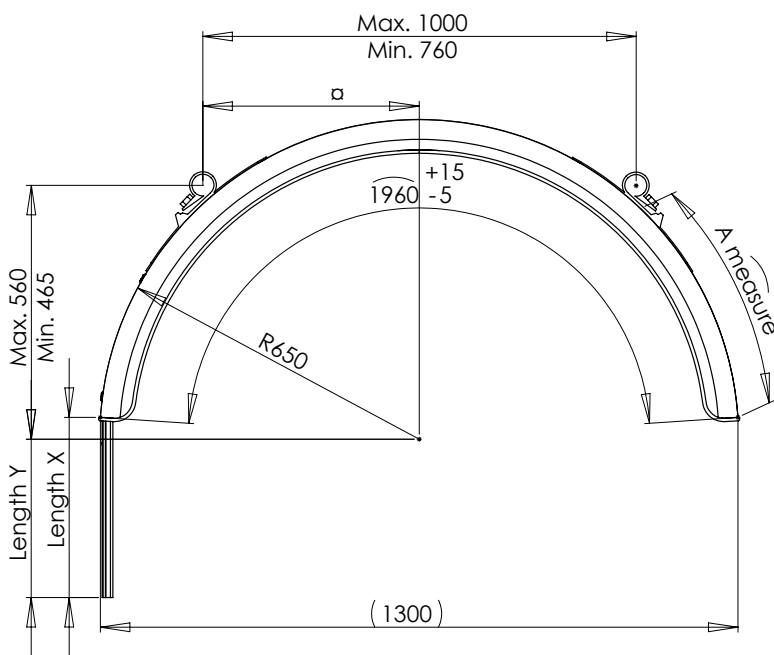
2260 mm length



| ARTICLE NUMBER | ANTI-SPRAY CUP | X-LENGTH mm | Y-LENGTH mm | A mm | B mm | ABC-class |
|----------------|----------------|-------------|-------------|------|------|-----------|
| 37652260-10AC | 091-414079 | 300 | 409 | 630 | 140 | B |
| 42652260-10AC | 091-414080 | 300 | 409 | 630 | 240 | B |
| 47652260-10AC | 091-434781 | 370 | 479 | 630 | 240 | C |
| 52652260-10AC | 091-483372 | 230 | 339 | 630 | 240 | D |
| 57652260-10AC | 091-553372 | 230 | 339 | 630 | 300 | D |
| 62652260-10AC | 091-633372 | 230 | 339 | 630 | 300 | C |
| 67652260-10AC | 091-663372 | 230 | 339 | 630 | 300 | A |
| 70652260-10AC | 091-683481 | 240 | 349 | 630 | 300 | B |

650 MM RADIUS FULL MUDGUARD

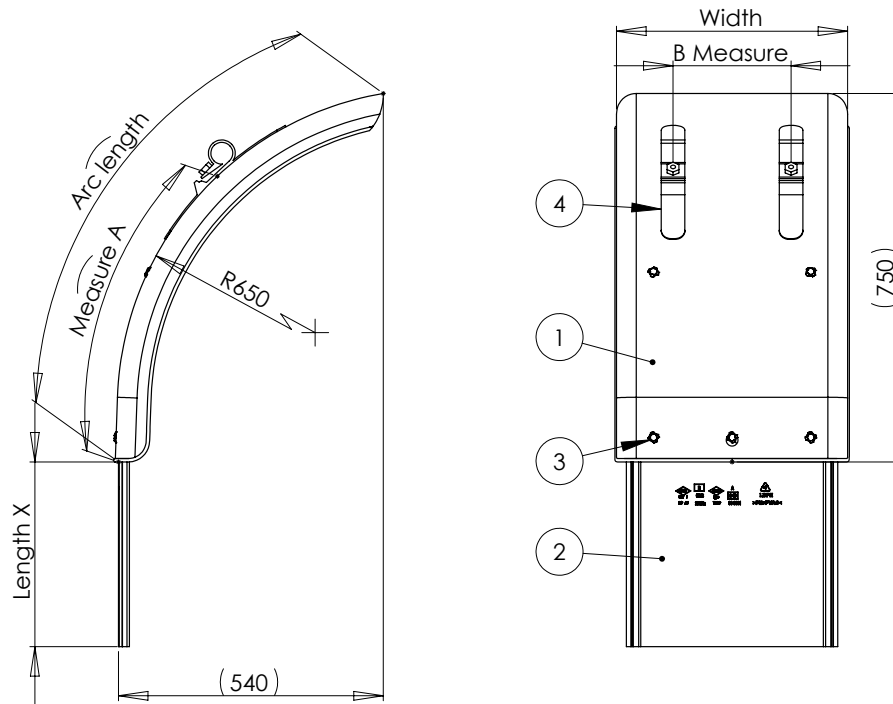
1960 mm length



| ARTICLE NUMBER | ANTI-SPRAY CUP | X-LENGTH mm | Y-LENGTH mm | A mm | B mm | ABC-class |
|----------------|----------------|-------------|-------------|------|------|-----------|
| 45651960-10AC | 091-434671 | 360 | 315 | 480 | 240 | A |
| 55651960-10AC | 091-555276 | 420 | 375 | 480 | 240 | C |
| 60651960-10AC | 091-554372 | 330 | 285 | 480 | 300 | C |
| 65651960-10AC | 091-634474 | 340 | 295 | 480 | 300 | A |

650 MM RADIUS HALF MUDGUARD

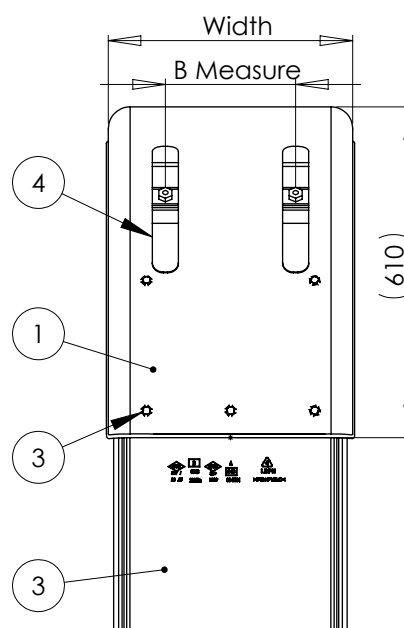
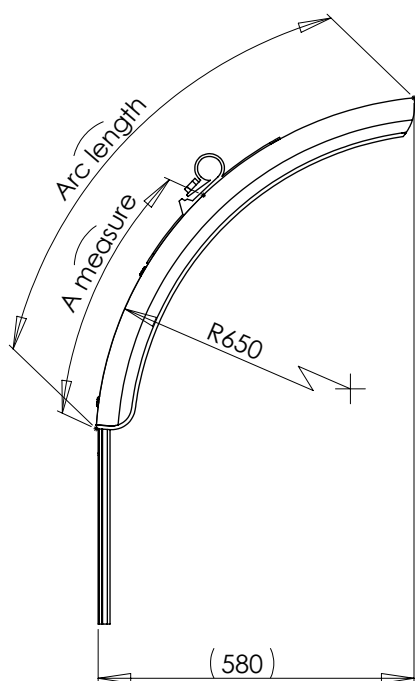
1020 mm length



| ARTICLE NUMBER | ANTISPRAY CUP | X-LENGTH mm | A mm | B mm | ABC-class |
|----------------|---------------|-------------|------|------|-----------|
| 37651020-10AC | 091-414079 | 300 | 630 | 140 | B |
| 42651020-10AC | 091-414080 | 300 | 630 | 240 | B |
| 47651020-10AC | 091-434781 | 370 | 630 | 240 | C |
| 52651020-10AC | 091-483372 | 230 | 630 | 240 | D |
| 57651020-10AC | 091-553372 | 230 | 630 | 300 | D |
| 62651020-10AC | 091-633372 | 230 | 630 | 300 | C |
| 67651020-10AC | 091-663372 | 230 | 630 | 300 | A |
| 70651020-10AC | 091-683481 | 240 | 630 | 300 | B |

650 MM RADIUS HALF MUDGUARD

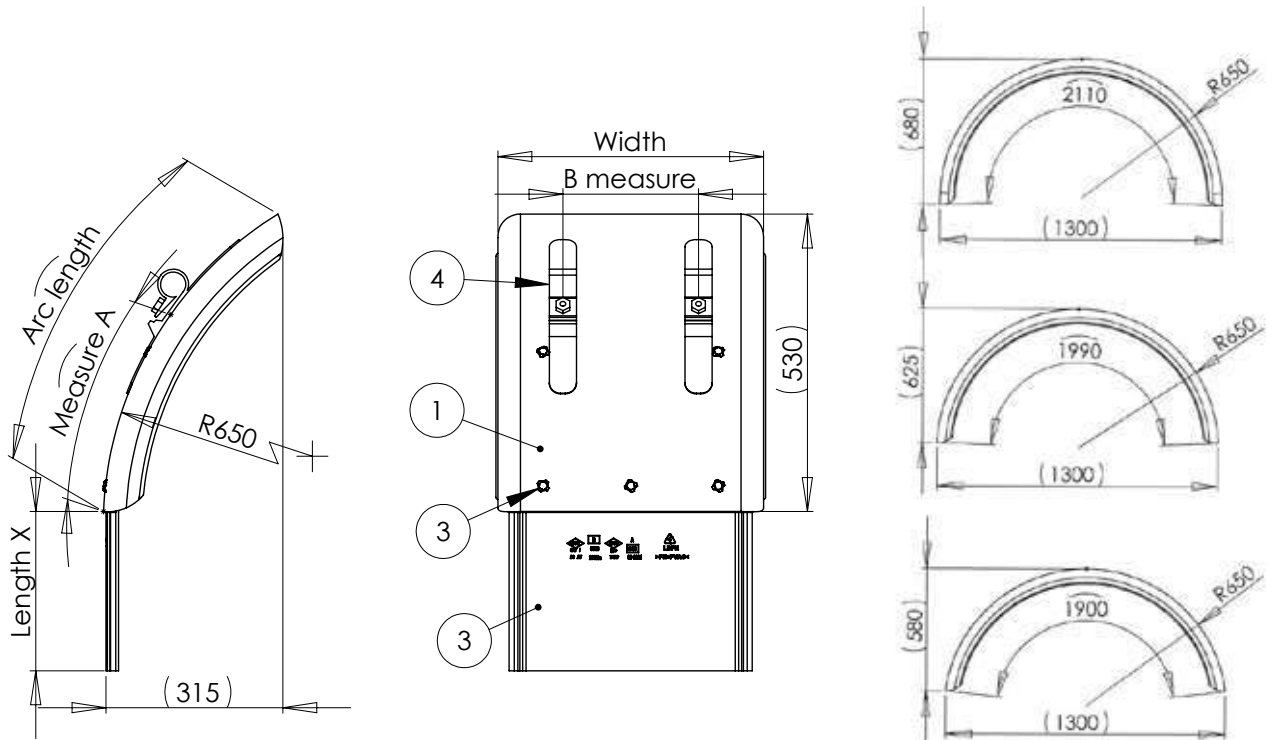
930 mm length



| ARTICLE NUMBER | ANTISPRAY CUP | X-LENGTH mm | A mm | B mm | ABC-class |
|----------------|---------------|-------------|------|------|-----------|
| 45650930-10AC | 091-434671 | 360 | 480 | 240 | A |
| 55650930-10AC | 091-555276 | 420 | 480 | 240 | C |
| 60650930-10AC | 091-554372 | 330 | 480 | 300 | C |
| 65650930-10AC | 091-634474 | 340 | 480 | 300 | A |

650 MM RADIUS QUARTER MUDGUARD

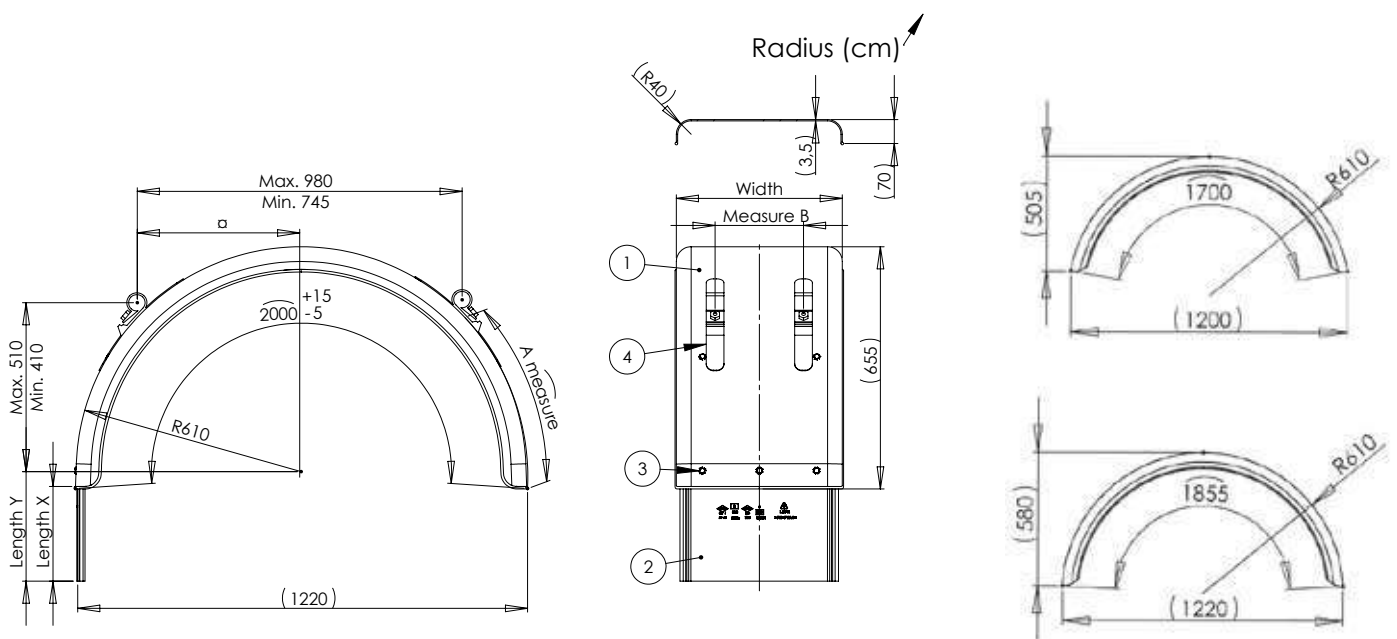
635 mm length



| ARTICLE NUMBER | ANTISPRAY CUP | X-LENGTH mm | A mm | B mm | ABC-class |
|----------------|---------------|-------------|------|------|-----------|
| 37650635-10AC | 091-414079 | 300 | 375 | 140 | B |
| 42650635-10AC | 091-414080 | 300 | 375 | 240 | B |
| 45650635-10AC | 091-433863 | 280 | 375 | 240 | A |
| 47650635-10AC | 091-434781 | 370 | 375 | 240 | C |
| 52650635-10AC | 091-483372 | 230 | 375 | 240 | D |
| 55650635-10AC | 091-555276 | 420 | 375 | 240 | C |
| 57650635-10AC | 091-554372 | 330 | 375 | 300 | D |
| 60650635-10AC | 091-554372 | 330 | 375 | 300 | C |
| 62650635-10AC | 091-634474 | 340 | 375 | 300 | C |
| 65650635-10AC | 091-634474 | 340 | 375 | 300 | A |
| 67650635-10AC | 091-632555 | 150 | 375 | 300 | A |
| 70650635-10AC | 091-683481 | 240 | 375 | 300 | B |

610 MM RADIUS FULL MUDGUARD

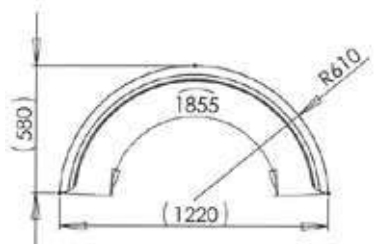
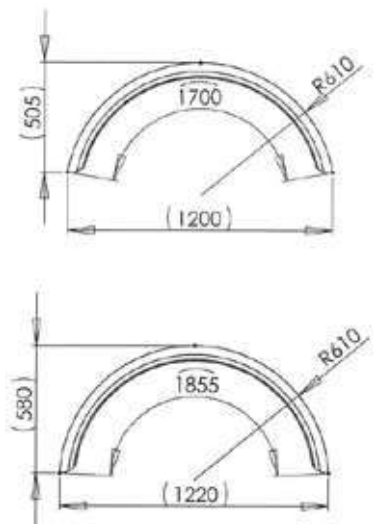
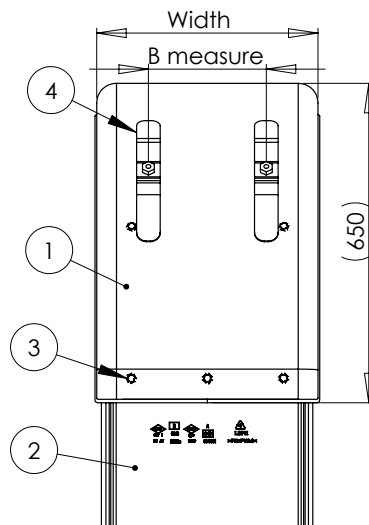
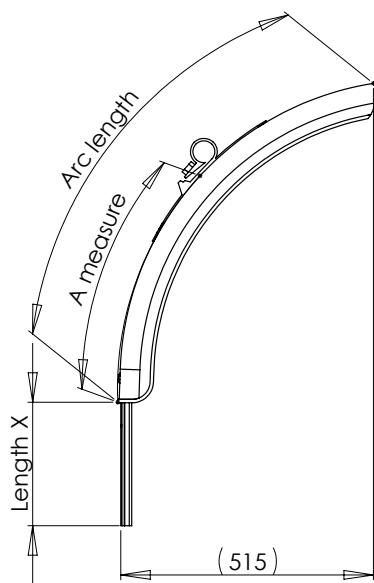
2000 mm length



| ARTICLE NUMBER | ANTI-SPRAY CUP | X-LENGTH mm | Y-LENGTH mm | A mm | B mm | ABC-class |
|----------------|----------------|-------------|-------------|------|------|-----------|
| 30612000-10 | NA | NA | NA | 500 | 140 | D |
| 40612000-10AC | 091-414079 | 300 | 345 | 500 | 140 | B |
| 45612000-10AC | 091-433567 | 250 | 295 | 500 | 240 | A |
| 50612000-10AC | 091-483564 | 250 | 295 | 500 | 240 | D |
| 60612000-10AC | 091-554372 | 330 | 375 | 500 | 300 | D |
| 62612000-10AC | 091-633565 | 250 | 295 | 500 | 300 | C |
| 65612000-10AC | 091-633161 | 210 | 255 | 500 | 300 | B |
| 70612000-10AC | 091-685174 | 410 | 455 | 500 | 300 | D |

610 MM RADIUS HALF MUDGUARD

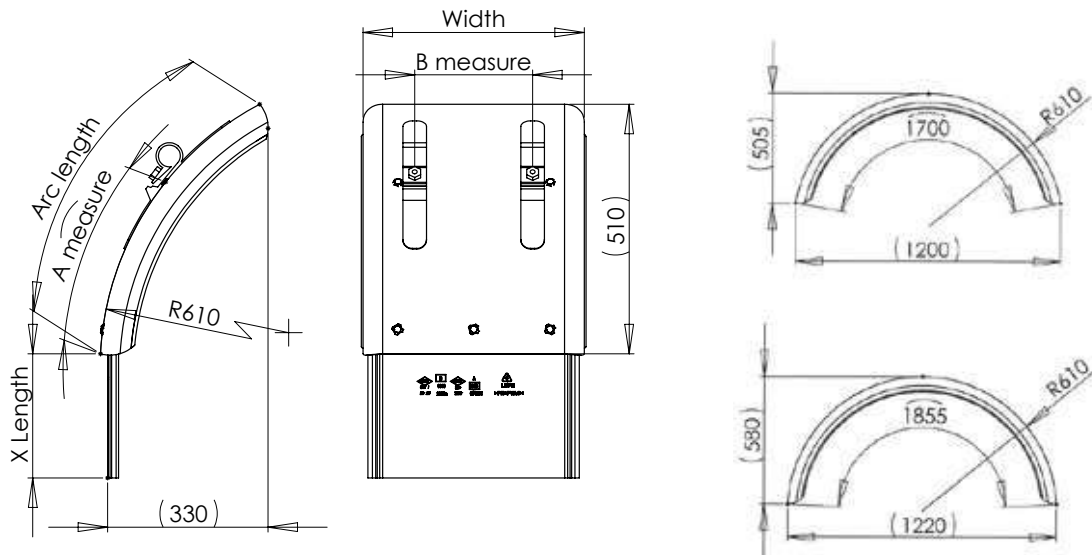
910 mm length



| ARTICLE NUMBER | ANTISPRAY CUP | X-LENGTH mm | A mm | B mm | ABC-class |
|----------------|---------------|-------------|------|------|-----------|
| 30610910-10 | NA | NA | 500 | 140 | D |
| 40610910-10AC | 091-414079 | 300 | 500 | 140 | B |
| 45610910-10AC | 091-433567 | 250 | 500 | 240 | A |
| 50610910-10AC | 091-483564 | 250 | 500 | 240 | D |
| 60610910-10AC | 091-554372 | 330 | 500 | 300 | D |
| 62610910-10AC | 091-633565 | 250 | 500 | 300 | C |
| 65610910-10AC | 091-633161 | 210 | 500 | 300 | B |
| 70610910-10AC | 091-684568 | 350 | 500 | 300 | D |

610 MM RADIUS QUARTER MUDGUARD

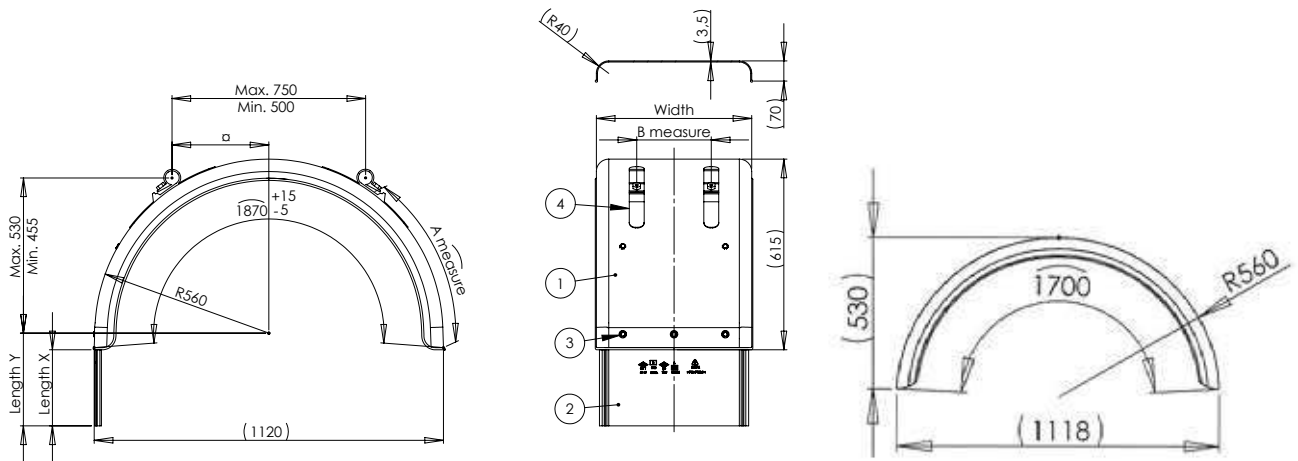
630 mm length



| ARTICLE NUMBER | ANTISPRAY CUP | X-LENGTH mm | A mm | B mm | ABC-class |
|----------------|---------------|-------------|------|------|-----------|
| 30610630-10 | NA | NA | NA | 140 | D |
| 40610630-10AC | 091-414079 | 300 | 375 | 140 | B |
| 45610630-10AC | 091-433567 | 250 | 375 | 240 | A |
| 50610630-10AC | 091-483564 | 250 | 375 | 240 | D |
| 60610630-10AC | 091-554372 | 330 | 375 | 300 | D |
| 62610630-10AC | 091-633565 | 250 | 375 | 300 | C |
| 65610630-10AC | 091-633161 | 210 | 375 | 300 | B |
| 70610630-10AC | 091-684568 | 350 | 375 | 300 | D |

560 MM RADIUS FULL MUDGUARD

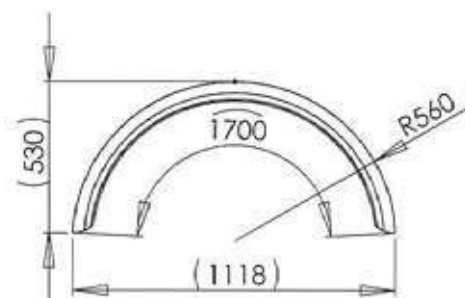
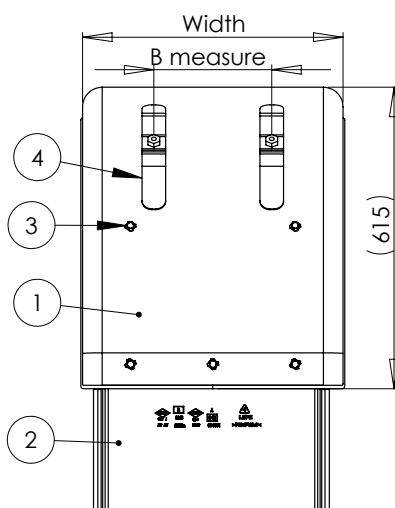
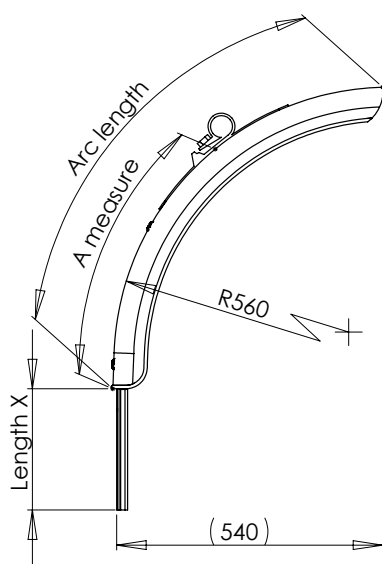
1870 mm length



| ARTICLE NUMBER | ANTI-SPRAY CUP | X-LENGTH mm | Y-LENGTH mm | A mm | B mm | ABC-class |
|----------------|----------------|-------------|-------------|------|------|-----------|
| 27561870-10 | NA | NA | NA | 575 | 140 | C |
| 30561870-10 | NA | NA | NA | 575 | 140 | C |
| 35561870-10 | NA | NA | NA | 575 | 140 | D |
| 48561870-10AC | 091-483564 | 250 | 295 | 575 | 240 | B |
| 50561870-10AC | 091-483059 | 200 | 245 | 575 | 240 | D |
| 53561870-10AC | 091-483564 | 250 | 295 | 575 | 240 | C |
| 55561870-10AC | 091-553050 | 200 | 245 | 575 | 240 | C |
| 58561870-10AC | 091-553050 | 200 | 245 | 575 | 240 | B |
| 60561870-10AC | 091-554372 | 330 | 375 | 575 | 300 | B |
| 62561870-10AC | 091-634474 | 340 | 385 | 575 | 300 | A |
| 65561870-10AC | 091-634474 | 340 | 385 | 575 | 300 | B |

560 MM RADIUS HALF MUDGUARD

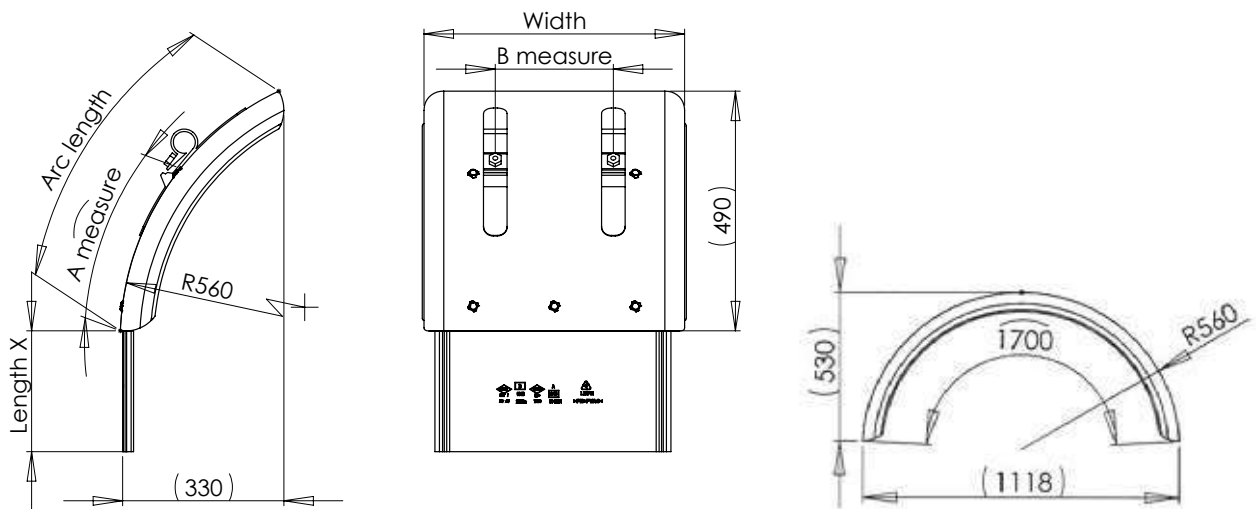
910 mm length



| ARTICLE NUMBER | ANTISPRAY CUP | X-LENGTH mm | A mm | B mm | ABC-class |
|----------------|---------------|-------------|------|------|-----------|
| 27560910-10 | NA | NA | 500 | 140 | C |
| 30560910-10 | NA | NA | 500 | 140 | C |
| 35560910-10 | NA | NA | 500 | 140 | D |
| 48560910-10AC | 091-482857 | 180 | 500 | 240 | B |
| 50560910-10AC | 091-483564 | 250 | 500 | 240 | D |
| 53560910-10AC | 091-483564 | 250 | 500 | 240 | C |
| 55560910-10AC | 091-553050 | 200 | 500 | 240 | C |
| 58560910-10AC | 091-553050 | 200 | 500 | 240 | B |
| 60560910-10AC | 091-554372 | 330 | 500 | 300 | B |
| 62560910-10AC | 091-634474 | 340 | 500 | 300 | C |
| 65560910-10AC | 091-634474 | 340 | 500 | 300 | B |

560 MM RADIUS QUARTER MUDGUARD

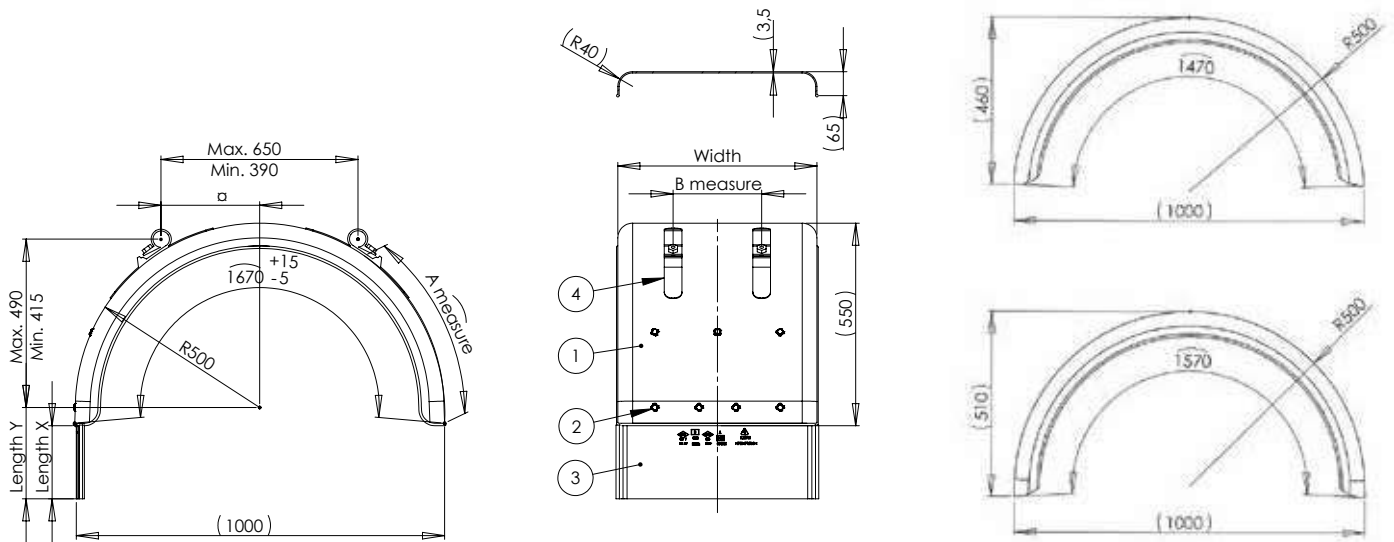
605 mm length



| ARTICLE NUMBER | ANTISPRAY CUP | X-LENGTH mm | A mm | B mm | ABC-class |
|----------------|---------------|-------------|------|------|-----------|
| 27560605-10 | NA | NA | 350 | 140 | C |
| 30560605-10 | NA | NA | 350 | 140 | C |
| 35560605-10 | NA | NA | 350 | 140 | D |
| 48560605-10AC | 091-482857 | 180 | 350 | 240 | B |
| 50560605-10AC | 091-483564 | 250 | 350 | 240 | D |
| 53560605-10AC | 091-483564 | 250 | 350 | 240 | C |
| 55560605-10AC | 091-553050 | 200 | 350 | 240 | C |
| 58560605-10AC | 091-553050 | 200 | 350 | 240 | B |
| 60560605-10AC | 091-554372 | 330 | 350 | 300 | B |
| 62560605-10AC | 091-634474 | 340 | 350 | 300 | A |
| 65560605-10AC | 091-634474 | 340 | 350 | 300 | B |

500 MM RADIUS FULL MUDGUARD

670 mm length

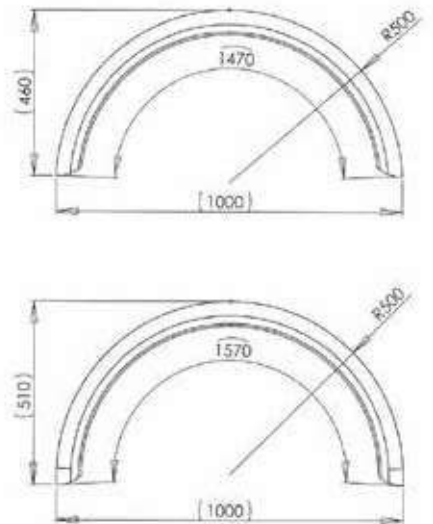
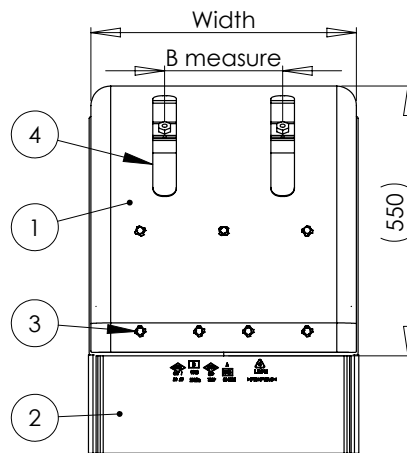
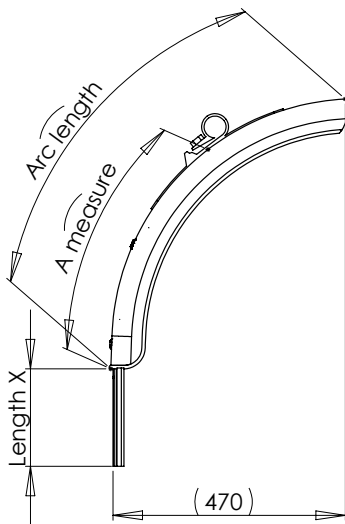


Full Mudwing

| ARTICLE NUMBER | ANTI-SPRAY CUP | X-LENGTH mm | Y-LENGTH mm | A mm | B mm | ABC-class |
|----------------|----------------|-------------|-------------|------|------|-----------|
| 27501670-10 | NA | NA | NA | 535 | 140 | B |
| 32501670-10 | NA | NA | NA | 535 | 240 | B |
| 40501670-10AC | 091-414079 | 300 | 350 | 535 | 140 | D |
| 51501670-10AC | 091-482348 | 130 | 180 | 535 | 240 | B |
| 54501670-10AC | 091-553050 | 200 | 250 | 535 | 240 | B |

500 MM RADIUS HALF MUDGUARD

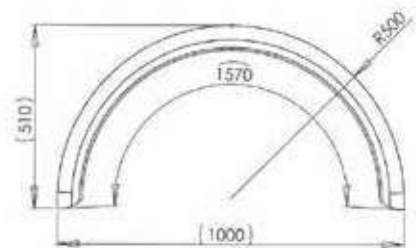
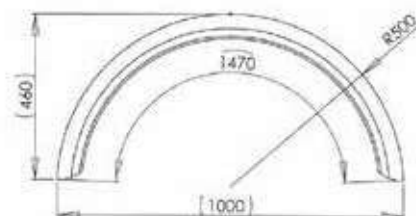
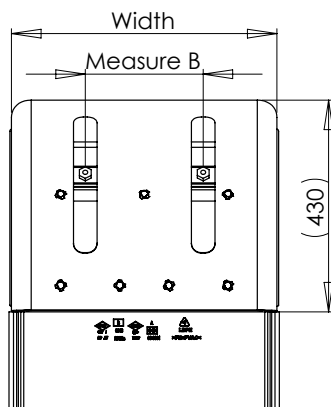
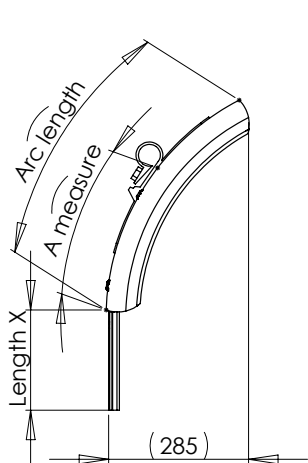
815 mm length



| ARTICLE NUMBER | ANTISPRAY CUP | X-LENGTH mm | A mm | B mm | ABC-class |
|----------------|---------------|-------------|------|------|-----------|
| 27500815-10 | NA | | 500 | 140 | B |
| 32500815-10 | NA | | 500 | 140 | B |
| 40500815-10AC | 091-414079 | 300 | 500 | 140 | D |
| 51500815-10AC | 091-482348 | 130 | 500 | 240 | B |
| 54500815-10AC | 091-553050 | 200 | 500 | 240 | B |

500 MM RADIUS QUARTER MUDGUARD

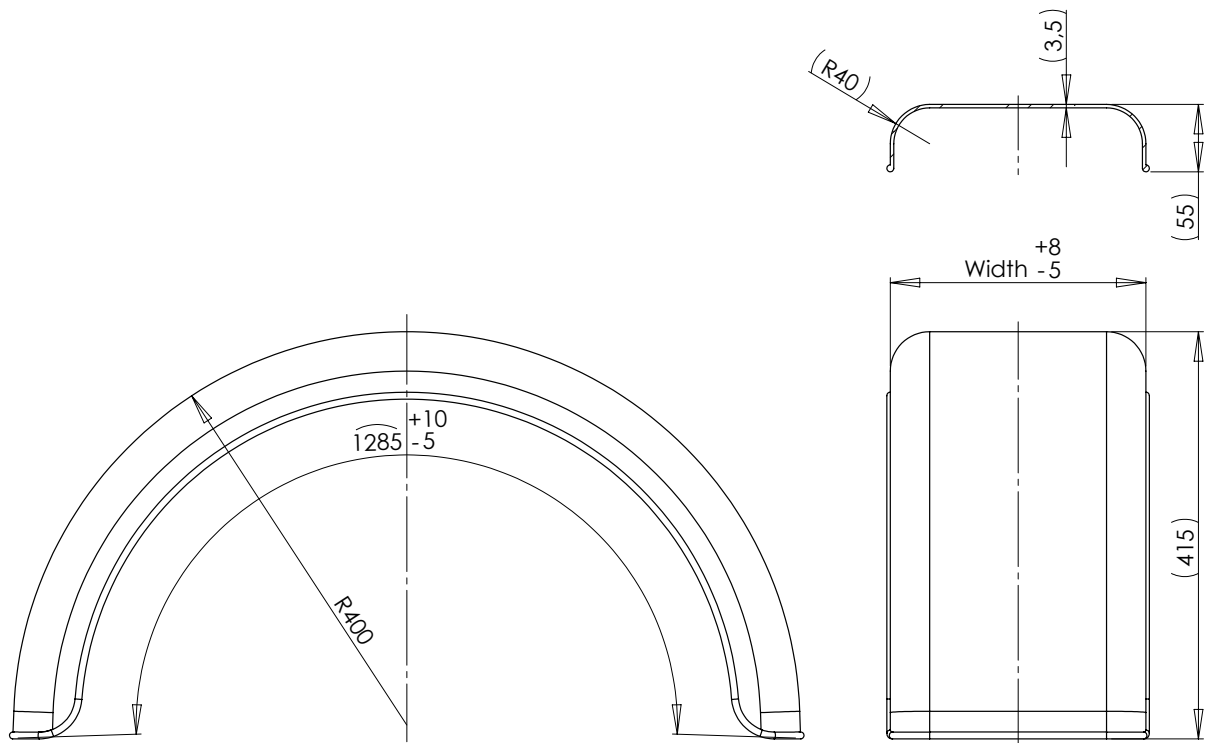
530 mm length



| ARTICLE NUMBER | ANTISPRAY CUP | X-LENGTH mm | A mm | B mm | ABC-class |
|----------------|---------------|-------------|------|------|-----------|
| 27500530-10 | NA | | 275 | 240 | B |
| 32500530-10 | NA | | 275 | 240 | B |
| 40500530-10AC | 091-414079 | 300 | 275 | 240 | D |
| 51500530-10AC | 091-482348 | 130 | 275 | 240 | B |
| 54500530-10AC | 091-553050 | 200 | 275 | 240 | B |

400 MM RADIUS FULL MUDGUARD

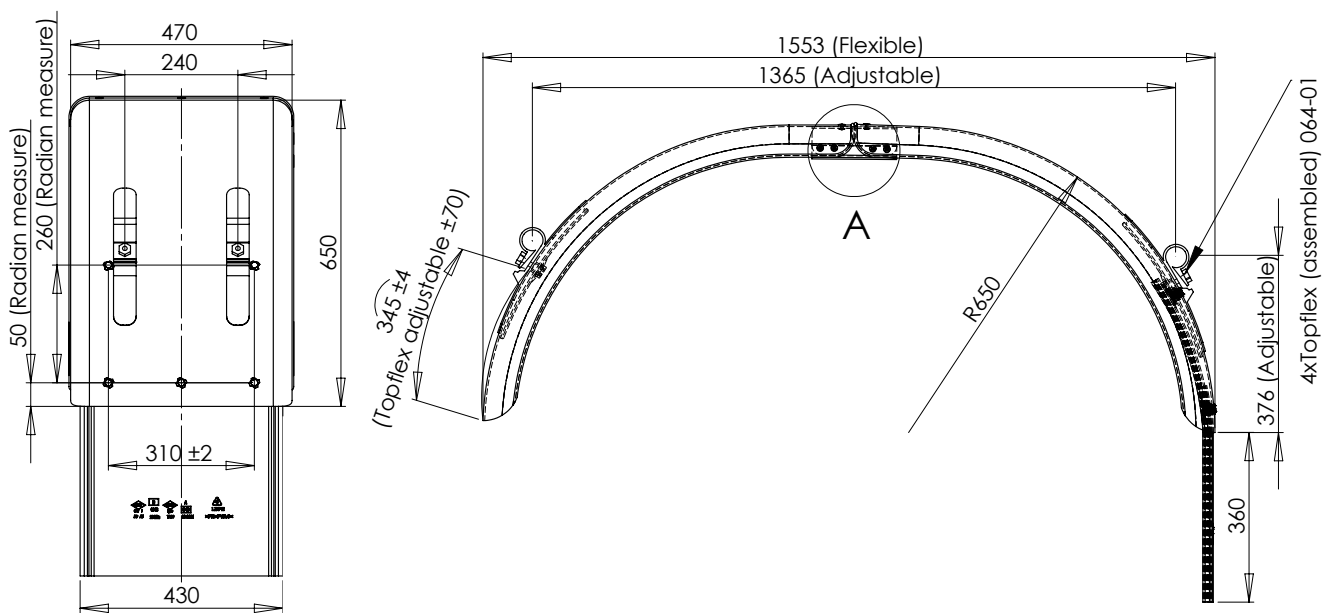
285 mm length



| ARTICLE NUMBER | WIDTH mm | RADIUS mm | ARC LENGTH mm | ABC-class |
|----------------|----------|-----------|---------------|-----------|
| 20401285 | 200 | 400 | 1285 | D |
| 22401285 | 220 | 400 | 1285 | C |
| 24401285 | 240 | 400 | 1285 | C |
| 26401285 | 260 | 400 | 1285 | C |
| 42401285 | 420 | 400 | 1285 | C |
| 45401285 | 450 | 400 | 1285 | D |

Mudguard suitable for steering axle

STEERFLEX



| ARTICLE NUMBER | WIDTH (W) mm | RADIUS (R) mm | LENGTH (L) mm | SPAN (S) mm | WEIGHT kg | ABC-class |
|---------------------|--------------|---------------|---------------|-------------|-----------|-----------|
| S 060-47652270-10AC | 470 | 650 | 2270 | 1553 | 7,5 | B |

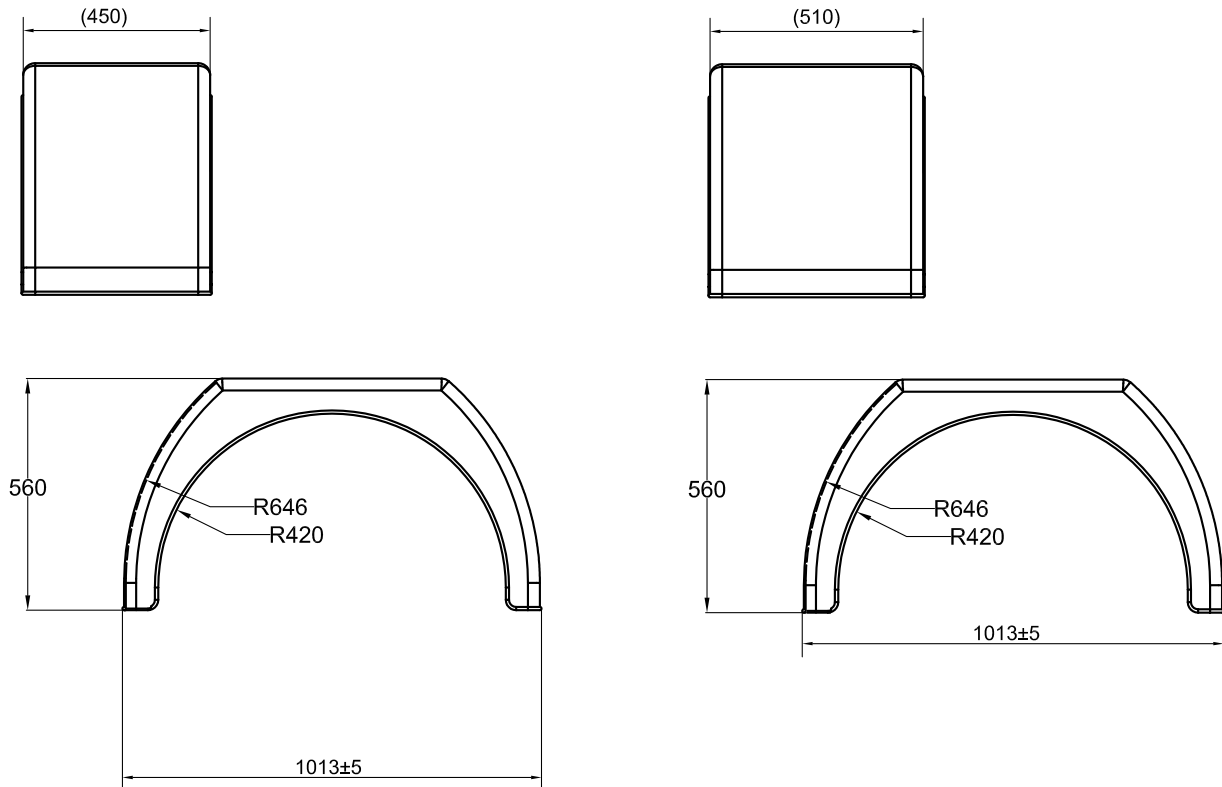
PRODUCT CHARACTERISTICS:

- I Greenflex mudguard solution, impact resistant -30°C to +80°C
- I Solution delivered with Sprayflex antispray mounted with Cupflex and 4 Topflex holders for fast and easy mounting
- I Dimensionally stable, both summer and winter
- I Span width of 1553 mm makes it suitable for steering axle with tire 385/65 R22.5



Flattop mudguard

FLATFLEX



| ARTICLE NUMBER | WIDTH (W) mm | RADIUS (R) mm | LENGTH (L) mm | SPAN (S) mm | WEIGHT kg | ABC-class |
|----------------|--------------|---------------|---------------|-------------|-----------|-----------|
| 45001800 | 450 | 650 | - | 1013 | 3,8 | B |
| 51001800 | 510 | 650 | - | 1013 | 4,0 | B |

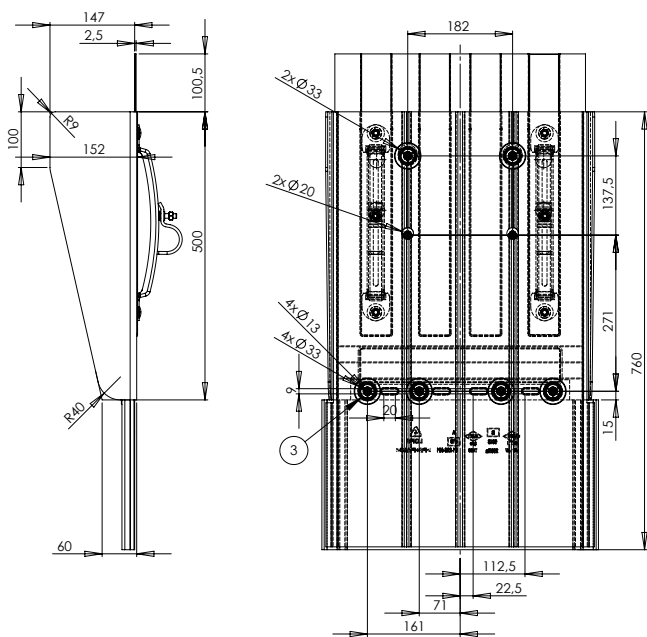
PRODUCT CHARACTERISTICS:

- | Precision injection moulded flattop mudguard suitable for smaller trucks
- | Dimensionally stable with fine tolerances
- | Flexible both summer and winter
- | Impact proof at extreme temperatures
- | Resistant to tearing
- | Long life, UV resistant
- | Available in both Istoflex (050) and Greenflex (060) material

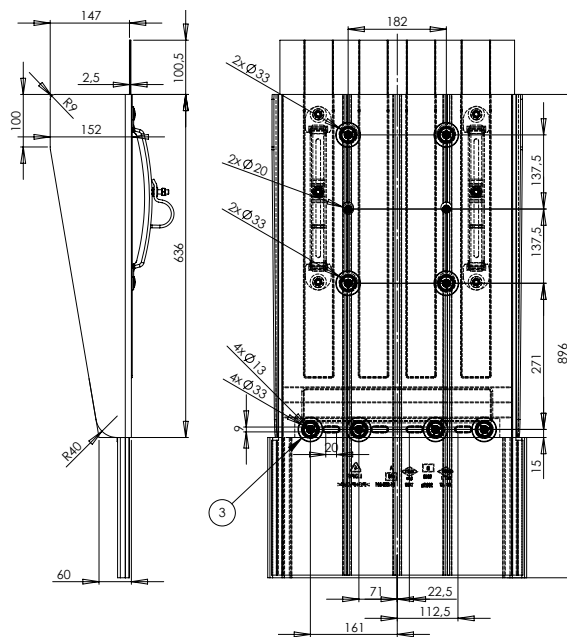


Solution for triple axles

RIMFLEX



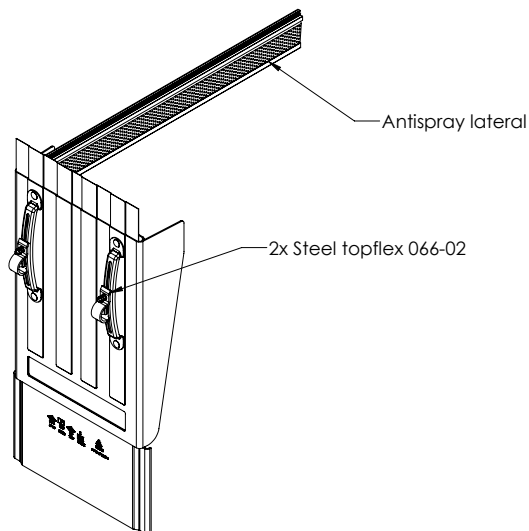
Rimflex, length 600 mm



Rimflex, length 736 mm

PRODUCT CHARACTERISTICS:

- I Greenflex mudguard solution, impact resistant
-30°C to + 80°C
- I Dimensionally stable, both summer and winter
- I Mounted with metal Topflex holders and Sprayflex antispray
- I Variable length (span), up to 400 cm
- I Two lengths of mudguards: 600 mm and 736 mm
- I Antispray mounted with bolts and nuts



Rimflex side antispray



| ARTICLE NUMBER | DESCRIPTION | WIDTH (W) mm | LENGTH (L) mm | WEIGHT kg | ABC-class |
|------------------|---|--------------|---------------|-----------|-----------|
| 056-43020600 | Spat mudguard, short | 435 | 600 | 1,15 | B |
| 056-43020600A | Spat mudguard, short with antispray | 435 | 600 | 2,7 | B |
| 056-43020600-19 | Spat mudguard, short with Topflex holders | 435 | 600 | 2,11 | B |
| 056-43020600-19A | Spat mudguard w/Topflex, antispray | 435 | 600 | 3,63 | B |
| 056-43020736 | Spat mudguard, long | 435 | 736 | 1,2 | B |
| 056-43020736-A | Spat mudguard, long with antispray | 435 | 736 | 3,0 | B |
| 056-43020736-19 | Spat mudguard, long with Topflex holders | 435 | 736 | 2,16 | B |
| 056-43020736-19A | Spat mudguard, long w/Topflex, antispray | 435 | 736 | 3,92 | B |
| 59020223 | Side panel, L: 400 cm | - | 4000 | 1,2 | B |
| 59020400 | Alu profile, L: 400 cm | - | 4000 | 2,0 | B |



ANTISPRAY PROTECTION SYSTEMS

The overall purpose with an antispray is to reduce waterspray from the tires as it not only makes it more safe to overtake another vehicle but also enables the chauffeur to orientate oneself about the surroundings.






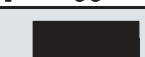
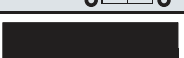
EC Type Approval/Antispray

EC type Approval is a legal requirement for all EU countries and makes it possible for the manufacturer to apply for homologation in any member state. Vehicles in categories N and O, cf. below table, with the exception of off-road vehicles defined in Annex II to Directive 2007/46/EC, shall be fitted with antispray

devices according to Regulation (EC) No. 661/2009, amended by Regulation (EC) No. 407/2011. The former replaces the Directive 91/226/EEC, amended by Directive 2010/19/EU.

Regulation (EU) No. 109/2011 implements Regulation (EC) No. 661/2009.

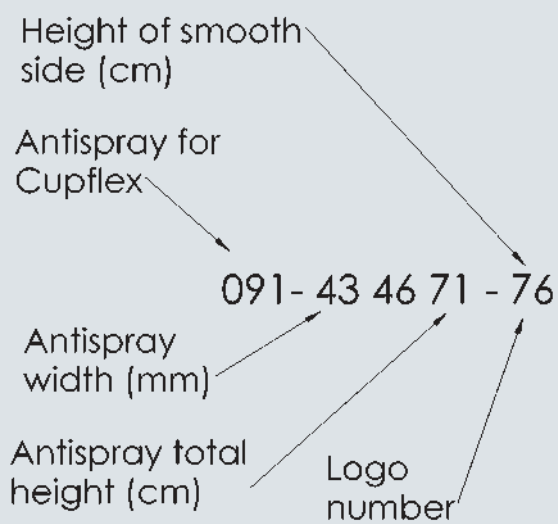
SCOPE

| GOODS VEHICLES CATEGORY | | DESCRIPTION | WEIGHT | SPRAY DIRECTIVE |
|-------------------------|---|--|------------------------------------|--|
| N | | Motor vehicles with at least 4 wheels designed and constructed for the carriage of goods | | Mandatory (exemptions see below) |
| N ₁ |  | Goods vehicles | No more than 3.5 t | Optional |
| N ₂ |  | Medium size vans and trucks | Over 3.5 t but no more than 12 t | Optional up to 7.5 t Mandatory over 7.5 t |
| N ₃ |  | Heavy trucks and vans | Over 12 t | Mandatory |
| Trailers | | | | |
| O | | Trailers (including semi-trailers) | | Mandatory (exemptions see below) |
| O ₁ |  | Small trailers | No more than 0.75 t | Optional |
| O ₂ |  | Trailers | Over 0.75 t but no more than 3.5 t | Optional |
| O ₃ |  | Medium trailers | Over 3.5 t but no more than 10 t | Mandatory |
| O ₄ |  | Heavy trailers | Over 10 t | Mandatory |

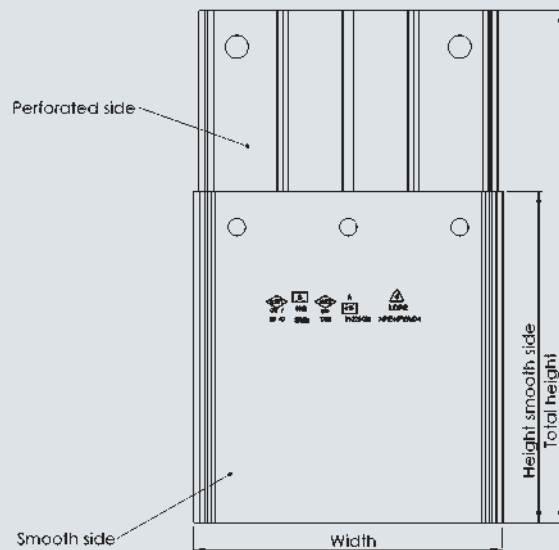
ANTISPRAY ARTICLE NO.

How to understand the article number of antispray.
An antispray consists of two parts; an inner side with the antispray function and the smooth side, at which the logo usually is located.

The article number of HBN antisprays contains type of material, sizes and many more details. Below is explained how you easily identify your HBN antispray. As an example below, the article code 091-434671-76 is used.



091 = Cupflex assembly
090 = Bolt and nut assembly



When antispray is mounted, the mudflap system must catch minimum 70% of the water spray and return it to the road surface as water droplets.

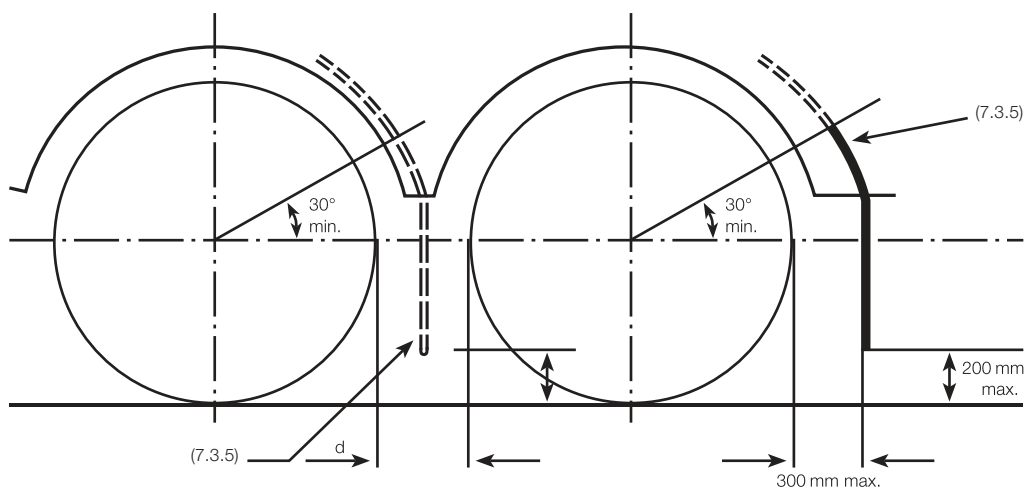
Position of the mudguard and antispray

The mudguard must cover the zone immediately above, ahead and behind the tyre or tyres. Their front and rear extremities must extend at least to the horizontal plane that is tangent to the upper edge of the tyre or tyres, however, the rear extremity may be replaced by the antispray, in which case this must extend to the upper part of the mudguard (or equivalent component), cf. below drawing.

The orientation of the antispray must be basically vertical, and the maximum height of the bottom edge must not exceed 200 mm, cf. below drawing. Under certain circumstances this distance may be increased to 300 mm.

In case of multiple axles where the difference between the tyres on adjacent axles is less than 250 mm, only the rear set of wheels must be fitted with antispray, otherwise antispray is needed behind each wheel when the distance is at least 250 mm.

Antispray must not be deflected by more than 100 mm towards the rear under a force of 3 N per 100 mm of the flap width, applied to a point located 50 mm above the lower edge of the antispray. Above information is not exhaustive, but include key points from the Regulation (EU) No. 109/2011.



Mudguard extended with antispray

SPRAYFLEX®

Improving safety on the roads

- | Sprayflex complies with the EU-directive No. 91/226-001
- | SPRAYFLEX® reduces waterspray by up to 77%
- | Impact resistant even at extreme temperatures
- | Self-cleaning for snow, ice and mud
- | No corrosion, maintenance free
- | Easy mounting with Cupflex

WITH CUPFLEX

| ARTICLE NUMBER | DIMENSIONS |
|----------------|-------------|
| 091-414079-00 | 410X400/790 |
| 091-433567-00 | 430X350/670 |
| 091-434671-00 | 430X460/710 |
| 091-482348-00 | 480X230/480 |
| 091-483375-00 | 480X300/750 |
| 091-483564-00 | 480X350/640 |
| 091-553050-00 | 550X300/500 |
| 091-554082-00 | 550X400/820 |
| 091-554372-00 | 550X430/720 |
| 091-634474-00 | 630X440/740 |
| 091-663372-00 | 660X330/720 |
| 091-683481-00 | 680X340/810 |

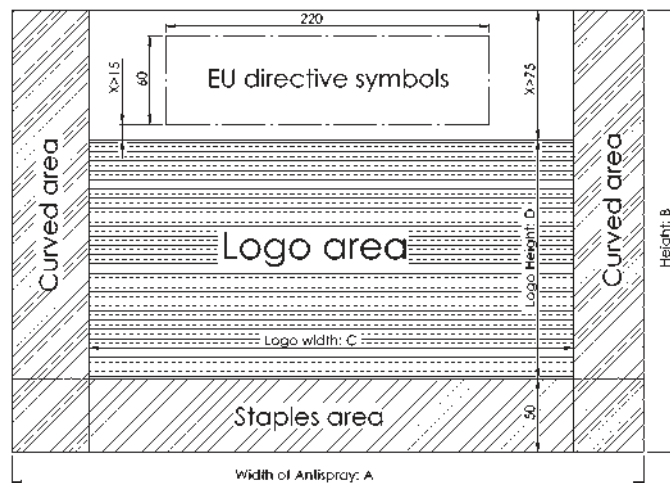
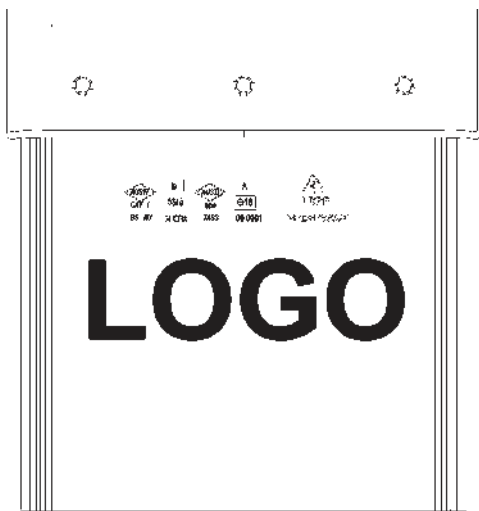
WITH BOLT AND NUT

| ARTICLE NUMBER | DIMENSIONS |
|----------------|-------------|
| 090-433070-00 | 430X300/700 |
| 090-434078-00 | 430X400/780 |
| 090-434580-00 | 430X450/800 |
| 090-435085-00 | 430X500/853 |
| 090-435186-00 | 430X510/860 |
| 090-482458-00 | 480X235/580 |
| 090-483076-00 | 480X299/755 |
| 090-483375-00 | 480X330/750 |
| 090-553050-00 | 550X300/500 |
| 090-554082-00 | 550X400/820 |
| 090-554270-00 | X425/700 |
| 090-633373-00 | 630X325/730 |
| 090-634383-00 | 630X425/825 |
| 090-634590-00 | 630X450/900 |
| 090-635191-00 | 630X513/905 |
| 090-674085-00 | 674X400/850 |
| 090-675082-00 | 674X500/820 |
| 090-675486-00 | 674X540/860 |

ANTISPRAY LOGO SIZE

Increase your branding with a logo on the antispray

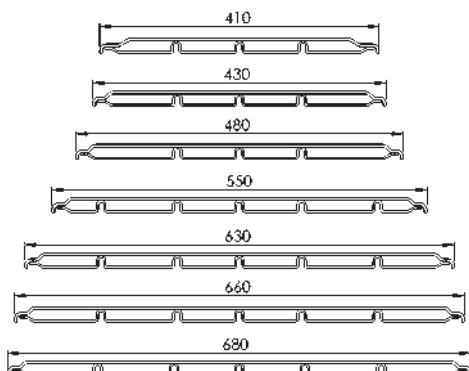
HBN-Teknik also offers our customers to include their logo on the antispray. The size of the logo depends on the size of the antispray, but in general the following rule applies:



Height B is equal to the height of the antispray smooth side minus 10 cm. Or equal to length X. See mud-guard standard drawings. Logo height is given by the height of the mudflap mi-

nus the space for EU symbols and the stamping area: $D = B - 75 - 50$. Thickness of logo letters & symbols must be less than 30 mm.

Available antispray widths, mm



Width, cm

- 410
- 430
- 480
- 550
- 630
- 660
- 680

Logo width, mm

- 310
- 330
- 380
- 450
- 530
- 560
- 580

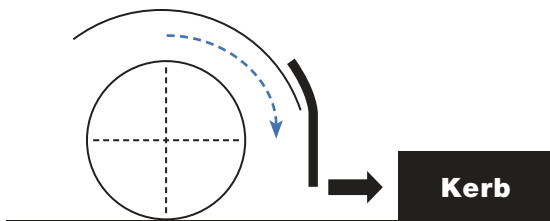


CUPFLEX

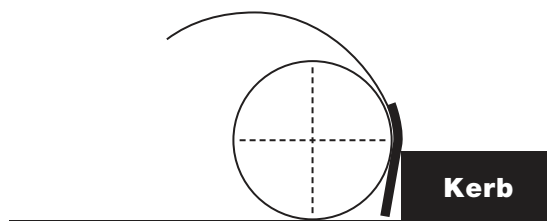
Fast and easy assembly with Cupflex solution

Traditionally the mudguard and antispray are assembled with bolts and nuts. HBN-Teknik offers instead the Cupflex solution, which is very inexpensive and extremely fast to mount. It cannot corrode – and it looks good.

The Cupflex solution also protects the mudguard system and stays, when driving backwards and hitting the kerb. If that happens, only the Cupflex solution breaks leaving the rest unharmed.



Mudguard solution with standard bolt and nuts



Mudguard with our Cupflex solution

In comparison to bolts and nuts:

- I Cupflex is cheaper
- I Faster assembling
- I No damages on the mudguard and stays, when driving backwards hitting the kerb
- I Cupflex gives a nice look

HOLDERS IN PLASTIC AND METAL

HBN offers a wide range of holders in both plastic and metal.

In general, we recommend to use the Topflex holder for the standard solutions for several reasons:

- I Easy to assemble due to high flexibility, adjustable +/- 70 mm
- I Fast assembly and dismantling – only one bolt to tighten
- I Removable part makes it suitable for both Ø 42,4 mm and Ø 40,0 mm stays
- I Plastic part widens the diameter for easy assembly to the stays
- I Impact proof material



064-01
TOPFLEX holder,
black polymer, suitable
for both Ø 40,0 and
Ø 42,4 stays

Easy to mount due
to high flexibility
and only one screw
to tighten.



069-01
MAXFLEX holder,
black polymer, suitable for both Ø 40,0
and Ø 42,4 stays



066-01
TOPFLEX holder,
black-coated steel, adjustable
holder with scala. Ø 42,4



066-01G
TOPFLEX holder, galvanized,
adjustable holder with scala. Ø 42,4



066-02
TOPFLEX holder, black-coated steel,
adjustable holder with scala. Ø 42,4,
suitable for the RIMFLEX mudguards



066-08G
TOPFLEX holder, galvanized,
adjustable holder with scala, Ø 52,0

065-01-01
EASYFLEX holder,
black polymer
for mounting the
mudguard directly
into the chassis



065-01-02
EASYFLEX extension, black polymer,
for use in combination with Easyflex
holder to increase height

STAYS

As a solution supplier, HBN-Teknik also offers a high-quality range of black-coated stays, both straight- and bended versions.

- I Two types: Straight- and bended versions
- I Two lengths: 540 mm and 640 mm
- I Black-coated for long lifetime
- I Zinc plated washers and nuts

| ARTICLE NUMBER | DESCRIPTION | LENGTH mm | DIAMETER Ø mm | ABC-CLASS |
|----------------|------------------------------|-----------|---------------|-----------|
| 076-5400 B | Black-coated stays, straight | 540 | 400 | C |
| 076-5401 B | Black-coated stays, bended | 540 | 400 | C |
| 076-6400 B | Black-coated stays, straight | 640 | 400 | C |
| 076-6401 B | Black-coated stays, bended | 640 | 400 | C |



PACKAGING

HBN-Teknik provides numerous solutions in packaging, from standard solutions as shown below to tailormade solutions, optimized to be delivered directly to the production line. The number of pieces per pallet depends on the size of the mudguards and number of layers.

Standard solutions:



Standard EUR-pallet, size 120 x 80 cm

Mudguard solutions are as standard delivered on EUR-pallets. Anti-slip layer is used at the bottom and reinforced tape is used around the mudguards to prevent sliding during transportation.

To optimize the internal handling, each layer/colli is wrapped in plastic.



Mega pallet, size 2240 x 1500 cm

When ordering high-volume mudguards for inhouse storing, this solution is recommended as it reduces the freight costs due to the optimized packaging. Cardboard layer is used at the bottom and between each layer of mudguards. The whole pallet is wrapped in shrink-foil.



Outdoor Mega pallet, size 2350 x 1450 cm

This solution is as the Mega pallet solution recommended for delivering high-volume mudguards, but for outside storage.

Cardboard layer is placed at the bottom and between each layer of mudguards. After the first two layers of mudguards, a light wood pallet is used to add rigidity. The construction is reinforced with wood posts to add increased strength. The hole pallet is wrapped in shrink-foil.

TAILOR MADE MUDGUARDS

INNOVATION THROUGH STRONG PARTNERSHIPS

To be better is by definition to be different. Being an innovative company, we must have the courage to be different and to try new ways of solving problems and to develop our future business. We know that innovation is not an option but a prerequisite for our and your growth and future success.

Our innovation approach is not primarily based on what we can do and what trills the engineering mind – we seek novel solutions that will make a significant improvement for our present and future customers. Accordingly, we develop strong relations with our key customers and we involve them early in the projects. We think solutions more than products and strive to find new ways of making it easier for our customers to achieve and meet their goals and objectives.

Our lightweight philosophy is not primarily about straightforward replacement of metal parts into corresponding composite components. We fully utilize the opportunities that composite technology offers to develop unique solutions that hopefully can do more than the replaced metal parts.

Complying with standards

HBN holds numerous of quality certificates that comply with the Automotive and TÜV standards for design and manufacturing of Plastic & Composite products. With a vision of being the benchmark in its field HBN strives to deliver the highest possible quality in everything we do. For HBN quality is part of our culture and a way of thinking through the whole value chain of the company, starting with customer expectations and requirements to the performance of our suppliers. Important reasons why major original equipment manufacturers see us as a reliable business partner.





3-part mudguard with antispray especially developed for a truck manufacturer. Contact HBN-Teknik and let us quote your next truck project. The shown rear lamp is an ERMAX TM10 Full-LED - unbreakable from Transport Teknik. www.transport-technik.dk

HBN-TEKNIK A/S

TRANSFORMS TRADITIONAL METAL PARTS INTO APPEALING LIGHTWEIGHT COMPOSITE SOLUTIONS FOR COMMERCIAL VEHICLES

Our lightweight philosophy is not primarily about straightforward replacement of metal parts into corresponding composite components, but to utilize the opportunities that the composite technology offers to develop unique solutions that hopefully can do more than the replaced metal parts. Through our R&D department in Denmark we offer unique development skills in accordance to the processes described below.

Lightweight design

Fast processing of your requirements due to skilled engineers and newest software

HBN has a long heritage of lightweight design with fiber reinforced materials. Our deep knowledge and many years of experience enable us to fully utilize the opportunities of designing with these materials. Integrating several functions into one component implies smarter and more compact solutions and fewer parts to assemble. Consequently, it helps to reduce the system weight, reduces the number of spare parts and lowers the overall costs to mention a few benefits.

Process simulation

Reduces time-to-market and optimizes tooling

By utilizing state of the art process simulation software we can assure the manufacturability of new products, limit the risk of expensive tooling reworks and optimize the weight of your parts to a minimum (especially when using fiber reinforced materials). This also assures shortest time to market for your product. For fiber reinforced material we are able to analyze and use the anisotropy for later FEM analysis.



Structural analysis

Optimizes quality and price per unit due to modern analysis software

FRP (Fiber Reinforced Polymers) includes different materials with a vast variety of specific characteristics. Through advanced finite element method (FEM), HBN finds the optimal design solutions and the most cost-effective production through integrated simulation technology, including:

- ! Anisotropic material behavior
- ! Material and geometric nonlinearities
- ! Strain-rate sensitivity
- ! Tensile compression asymmetry
- ! Part behavior and failure modelling
- ! Temperature dependence

Testing and quality assurance

High and stable quality assured by state of the art testing equipment

With over 40 years of experience HBN has a good and thorough understanding of plastic material behavior and strength. Through own testing facilities and close cooperation with suppliers and external partners HBN carries out rigorous tests to ensure that the functionality, durability and quality of our products comply with the highest standards in the market. Our tests comply with the automotive industry standard and some examples are:

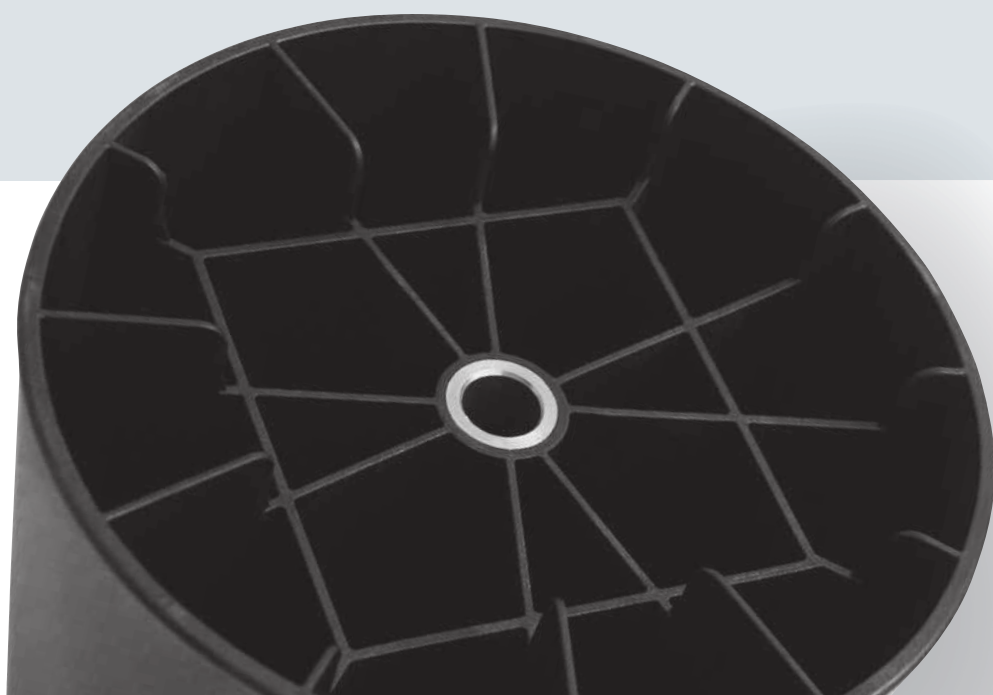
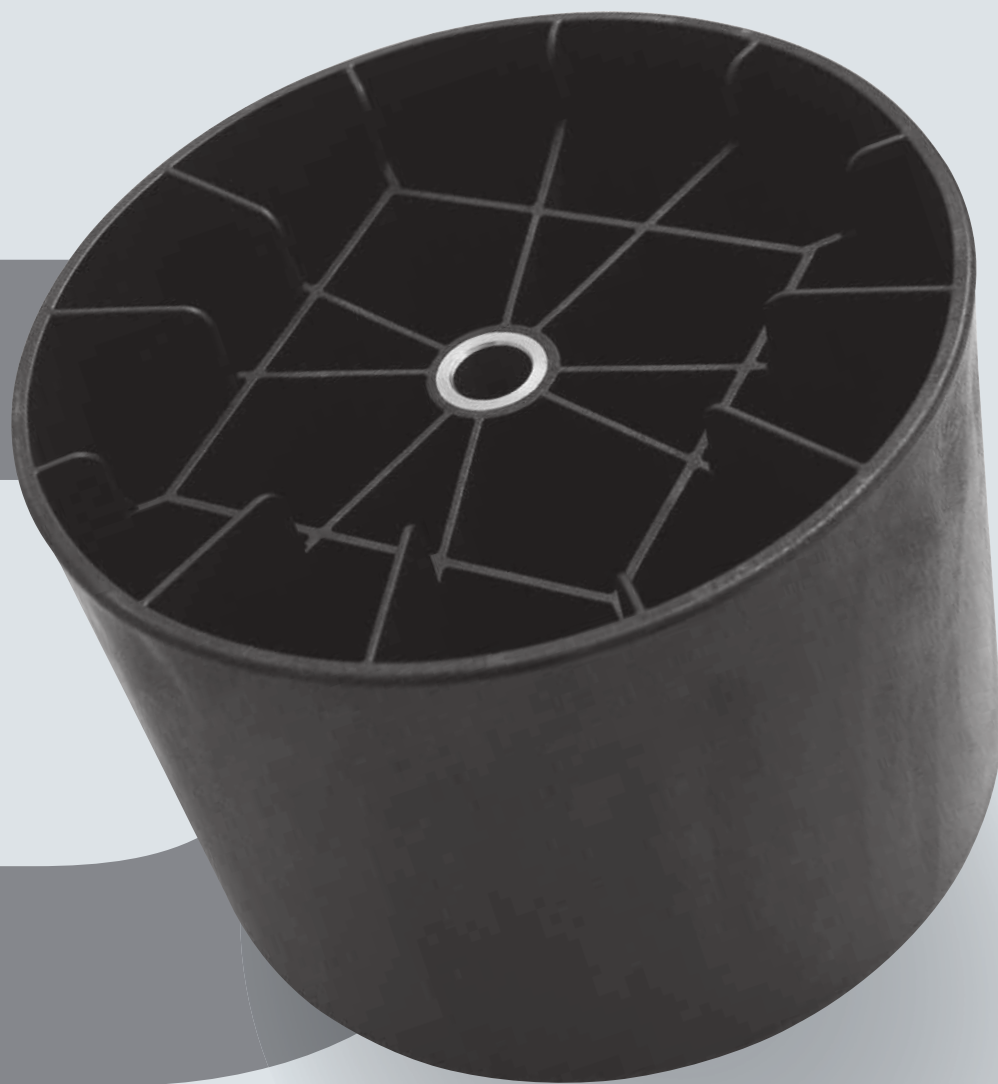
- ! Modular Bench tests
- ! Durability test
- ! Burst pressure tests
- ! Temperature tests
- ! Impact test
- ! Cycle test
- ! Field tests

Process validation and stable serial production

Secures quality products and a high delivery performance

To secure highly functional and reliable products HBN production equipment consists of state of the art machinery and fully automatic processes. We surveille our processes and products constantly (SPC) to ensure a high quality and robust production of your product. Our advanced manufacturing processes and techniques include:

- ! Injection moulding machines from 1,200 – 26,000 KN
- ! Spin welding machines
- ! Extrusion lines
- ! Hot stamping



AIR SPRING PISTONS

INCREASING VEHICLE STANDARDS CALLS FOR UNIQUE DESIGNS

Customer requirements for safer equipment, higher comfort and cost effective solution demands for out of the box thinking. Our composite air spring piston with inner volume technology does exactly that for our customers which is also the reason that we are the benchmark in the industry with leading OEM's using our solutions worldwide.

The air spring piston is a heavy duty and high performance component that helps to protect the payload and the body of commercial vehicles from the enormous forces caused by challenging road conditions. The piston together with an air bellow forms a system solution that carries the entire axle load of the vehicle. The main function of the piston is to provide stability, whereas the air filled rubber bellow is attached to the piston to provide springing.

Through innovative development we provide not only weight savings up to 70% compared to steel but also help to increase driving comfort. With a customized design, we provide the vehicle with a higher inside air volume capacity in the air suspension system. Not to mention a smooth transportation that comes with maintenance free solutions.

How is this possible

A working piston experiences not only an air pressure of up to 10 bars but also, in extreme cases, axle loads up to 14 metric tons. To meet these requirements, we integrate a rib structure into the component which has been developed through several computerized simulations to find the optimal design and injection process, ensuring that the piston can withstand the desired load requirements. Worst case simulations combined with bad road tests confirm that vehicles with our pistons are equipped for worldwide transport applications. With the end result of being substantial lighter, more cost effective and corrosion resistant compared to its metal predecessor.

Keeping overall costs down

To achieve an overall effective solution, it is not enough to barely consider the design of the component and choice of material to reach a desired cost level without compromising. We also provide extensive knowledge in tool design which we combine with our long production experience, which is a necessity to keep cycle times to a minimum. Our solutions have a modular construction to cover a variety of applications. Depending on the type of vehicle and performance profile required, the piston can be manufactured with different heights by using ancillary components.

ISTOFLEX® AND GREENFLEX® MUDGUARD FINDER

Look for the desired wheel- and tire size below and find the correct HBN mudguard.

HBN Mudguard Finder

With more than 700 products, the Mudguard Finder is the tool to find the right mudguard suited for your vehicle as it includes the most used tire sizes, sorted by the rim size. Be aware, that the width of the mudguard always is wider than the width of the tire or tires in dual formation.

| TIRE SIZE | TIRE WIDTH mm | TIRE RADIUS mm | CENTRE DISTANCE mm | TIRE FITMENT | ALT. SUGGESTED MUDGUARD | FULL MUDGUARD 1/1 |
|-------------------------|---------------|----------------|--------------------|--------------|-------------------------|-----------------------|
| 10" LIGHT WEIGHT | | | | | | ARTICLE NUMBER |
| 7.50R | 209 | 321 | | S | | 26401285 |
| | | | 240 | D | | 45401285 |
| 12" LIGHT WEIGHT | | | | | | ARTICLE NUMBER |
| 7.00R | 187-193 | 330-340 | | S | | 24401285 |
| | | | 220-225 | D | | 45401285 |
| 145R | 140 | | | S | | 22401285 |
| 155/70 | 155 | | | S | | 22401285 |
| 155R | 150 | | | S | | 22401285 |
| 13" LIGHT WEIGHT | | | | | | ARTICLE NUMBER |
| 6.70R | 173 | 328 | | S | | 22401285 |
| 165R | 160 | 300 | | | | 22401285 |
| 175R | 170 | 309 | | S | | 22401285 |
| 185/75 | 187 | 307 | | S | | 24401285 |
| 185R | 180 | 317 | | S | | 24401285 |
| 14" LIGHT WEIGHT | | | | | | ARTICLE NUMBER |
| 6.50R | 164 | 325 | | S | | 22401285 |
| 165/70 | 163 | 293 | | S | | 22401285 |
| 165R | 160 | 312 | | S | | 22401285 |
| 175/65 | 172 | 292 | | S | | 24401285 |
| 175/75 | 179 | 312 | | S | | 24401285 |
| 175R | 173 | 318 | | S | | 24401285 |
| 185/65 | 183 | 298 | | S | | 24401285 |
| 185R | 184 | 330 | | S | | 24401285 |
| 195/65 | 192 | 305 | | S | | 24401285 |
| 195/70 | 190 | 314 | | S | | 24401285 |
| 195R | 190 | 338 | | S | | 24401285 |
| 205/70 | 203 | 321 | | S | | 24401285 |
| 205R | 200 | 346 | | S | | 24401285 |
| 215R | 210 | 354 | | S | | 24401285 |

By locating the wheel- and tire size the corresponding HBN article number is easily identified. The table also indicate if it is a Single (S) or Double (D) tire fitment.

If a 1/2- or 1/3- size mudguard is requested or a solution with Topflex holders and Sprayflex antispray, the corresponding article number can be found on page 12 to 26 depending on the chosen radius.

In addition to this the length of the arc can always be cut to desired dimensions.

To select raw material quality, simply add "050-" for Istoflex or "060-" for Greenflex.

| TIRE SIZE | TIRE WIDTH mm | TIRE RADIUS mm | CENTRE DISTANCE mm | TIRE FITMENT | ALT. SUGGESTED MUDGUARD | FULL MUDGUARD 1/1 |
|-------------------------|---------------|----------------|--------------------|--------------|-------------------------|-----------------------|
| 15" LIGHT WEIGHT | | | | | | ARTICLE NUMBER |
| 7.50R | 208-223 | 357 | | S | | 27501670 |
| | | | 230-247 | D | | 51501670 |
| 9.00R | 248 | 415 | | S | | 27501670 |
| 10.00R | 268 | 455 | 305-315 | D | | 65561870 |
| 185/65 | 181 | 311 | | S | | 24401285 |
| 185R | 180 | 342 | | S | | 24401285 |
| 195/55 | 195 | 298 | | S | | 24401285 |
| 195/65 | 192 | 317 | | S | | 24401285 |
| 195/70 | 190 | 327 | | S | | 24401285 |
| 195R | 190 | 350 | | S | | 24401285 |
| 205/60 | 202 | 314 | | S | | 24401285 |
| 205/65 | 202 | 324 | | S | | 24401285 |
| 205/70 | 200 | 334 | | S | | 24401285 |
| 205/80 | 203 | 355 | | S | | 26401285 |
| 215/65 | 213 | 330 | | S | | 24401285 |
| 215/70 | 210 | 341 | | S | | 24401285 |
| 215/75 | 210 | 354 | | S | | 24401285 |
| 215R | 210 | 367 | | S | | 26401285 |
| 225/70 | 225 | 348 | | S | | 26401285 |
| 16" LIGHT WEIGHT | | | | | | ARTICLE NUMBER |
| 7.00R | 206-211 | 365 | | S | | 27501670 |
| | | | 225 | D | | 51501670 |
| 7.50R | 208-223 | 371 | | S | | 27501670 |
| | | | 242 | D | | 51501670 |
| 8.25R | 239 | 397 | | S | | 51501670 |
| | | | 265 | D | | 55561870 |
| 9.00R | 258-273 | 471 | | S | | 27561870 |
| | | | 285-302 | D | | 58561870 |
| 11.00R | 290-307 | 498 | | S | | 40612000 |
| | | | 321-340 | D | | 65612000 |

The printed Mudguard-Finder includes the most used tire sizes, sorted by the rim size.

For some tires, an alternative (alt.) mudguard article number has been included as both mudguards are suitable. Which one to choose depends on customer preferences and/or special conditions. We therefore recommend to double-check the exact measures for each of the suitable mudguards in the specifications tables from page 61. Please contact us if you do not find the requested size as we continuously add new sizes to our range.

| TIRE SIZE | TIRE WIDTH mm | TIRE RADIUS mm | CENTRE DISTANCE mm | TIRE FITMENT | ALT. SUGGESTED MUDGUARD | FULL MUDGUARD 1/1 |
|-------------------------|---------------|----------------|--------------------|--------------|-------------------------|-----------------------|
| 16" LIGHT WEIGHT | | | | | | ARTICLE NUMBER |
| 175/75 | 170 | 338 | | S | | 24401285 |
| 175/80 | 170 | 347 | | S | | 24401285 |
| 185/75 | 186 | 345 | | S | | 24401285 |
| 195/50 | 195 | 301 | | S | | 24401285 |
| 195/55 | 195 | 310 | | S | | 24401285 |
| 195/60 | 193 | 320 | | S | | 24401285 |
| 195/65 | 192 | 330 | | S | | 24401285 |
| 195/75 | 190 | 339 | | S | | 24401285 |
| 205/45 | 205 | 295 | | S | | 24401285 |
| 205/50 | 205 | 306 | | S | | 24401285 |
| 205/55 | 205 | 316 | | S | | 24401285 |
| 205/60 | 203 | 326 | | S | | 24401285 |
| 205/65 | 202 | 336 | | S | | 24401285 |
| 205/75 | 200 | 355 | | S | | 24401285 |
| 205/80 | 200 | 370 | | S | | 24401285 |
| 215/55 | 215 | 321 | | S | | 24401285 |
| 215/60 | 215 | 332 | | S | | 24401285 |
| 215/65 | 212 | 343 | | S | | 24401285 |
| 215/70 | 210 | 354 | | S | | 24401285 |
| 215/75 | 210 | 363 | | S | | 27501670 |
| 215/85 | 216 | 390 | | S | | 27501670 |
| 225/50 | 225 | 316 | | S | | 26401285 |
| 225/55 | 225 | 327 | | S | | 26401285 |
| 225/60 | 223 | 338 | | S | | 26401285 |
| 225/65 | 222 | 349 | | S | | 26401285 |
| 225/70 | 220 | 361 | | S | | 27501670 |
| 225/75 | 220 | 373 | | S | | 27501670 |
| 235/60 | 233 | 344 | | S | | 26401285 |
| 235/65 | 232 | 356 | | S | | 27501670 |
| 235/70 | 230 | 368 | | S | | 27501670 |
| 235/75 | 230 | 378 | | S | | 27501670 |
| 235/85 | 239 | 407 | | S | | 27501670 |
| 245/70 | 240 | 375 | | S | | 27501670 |
| 245/75 | 240 | 387 | | S | | 27501670 |

| TIRE SIZE | TIRE WIDTH mm | TIRE RADIUS mm | CENTRE DISTANCE mm | TIRE FITMENT | ALT. SUGGESTED MUDGUARD | FULL MUDGUARD 1/1 |
|---------------------------|---------------|----------------|--------------------|--------------|-------------------------|-----------------------|
| 17" LIGHT WEIGHT | | | | | | ARTICLE NUMBER |
| 6.50R | 170 | 384 | | S | | 24481570 |
| 8.25R | 230 | 443 | | S | | 30561870 |
| | | | 260 | D | | 55561870 |
| 185/60 | 185 | 327 | | S | | 27501670 |
| 205/50 | 205 | 318 | | S | | 27501670 |
| 215/50 | 215 | 323 | | S | | 27501670 |
| 215/60 | 215 | 345 | | S | | 27501670 |
| 225/55 | 225 | 340 | | S | | 27501670 |
| 225/65 | 223 | 362 | | S | | 27501670 |
| 235/55 | 235 | 345 | | S | | 27501670 |
| 235/60 | 235 | 357 | | S | | 27501670 |
| 235/65 | 232 | 369 | | S | | 27501670 |
| 255/50 | 255 | 343 | | S | | 27501670 |
| 255/60 | 254 | 369 | | S | | 27501670 |
| 265/70 | 263 | 401 | | S | | 27501670 |
| 305/70 | 302 | 429 | | S | | 27501670 |
| 17,5" LIGHT WEIGHT | | | | | | ARTICLE NUMBER |
| 8R | 208 | 367 | | S | | 27501670 |
| | | | | D | | 51601670 |
| 8,5R | 216 | 374 | | S | | 27501670 |
| | | | | D | | 51501670 |
| 9,5R | 230 | 398 | | S | | 27501670 |
| | | | | D | | 40501670 |
| 10R | 256-264 | 422 | | S | | 35561870 |
| | | | | D | | 60561870 |
| 195/60 | 202 | 342 | | S | | 27501670 |
| 195/70 | 202 | 362 | | S | | 27501670 |
| 195/80 | 202 | 382 | | S | | 27501670 |
| 205/60 | 209 | 348 | | S | | 27501670 |
| 205/70 | 209 | 370 | | S | | 27501670 |
| 205/75 | 202 | 361 | | S | | 27501670 |
| | | | | D | | 51501670 |
| 205/80 | 209 | 390 | | S | | 27501670 |
| 215/70 | 217 | 377 | | S | | 27501670 |
| 215/75 | 211 | 369 | | S | | 27501670 |
| | | | | D | | 51501670 |

| TIRE SIZE | TIRE WIDTH mm | TIRE RADIUS mm | CENTRE DISTANCE mm | TIRE FITMENT | ALT. SUGGESTED MUDGUARD | FULL MUDGUARD 1/1 |
|---------------------------|---------------|----------------|--------------------|--------------|-------------------------|-----------------------|
| 17,5" HEAVY WEIGHT | | | | | | ARTICLE NUMBER |
| 8R | 211 | 395 | | S | | 27501670 |
| | | | 225-234 | D | | 51501670 |
| 8.5R | 218 | 404 | | S | | 27501670 |
| | | | 233-251 | D | | 51501670 |
| 9R | 234 | 413 | | S | | 27501670 |
| 9.5R | 243 | 424 | | S | | 27501670 |
| | | | 262 | D | | 40501670 |
| 10R | 258 | 432 | | S | | 35561870 |
| | | | 277-286 | D | | 60561870 |
| 11R | 283 | 454 | | S | | 35561870 |
| 205/75 | 212 | 380 | | S | | 27501670 |
| | | | 240 | D | | 51501670 |
| 215/75 | 215 | 387 | | S | | 27501670 |
| | | | 250 | D | | 51501670 |
| | | | | D | Alt. | 40501670 |
| 225/70 | 230 | 384 | | S | | 27501670 |
| 225/75 | 232 | 395 | | S | | 27501670 |
| 235/75 | 246 | 402 | | S | | 27501670 |
| | | | 262-271 | D | | 40501670 |
| | | | | D | Alt | 55561700 |
| 245/70 | 254 | 398 | | S | | 55561700 |
| | | | 270-279 | D | | 55561700 |
| | | | | D | Alt. | 60561870 |
| 245/75 | 254 | 410 | | S | | 27501670 |
| 265/55 | 270 | 372 | | S | | 32501670 |
| 265/70 | 269 | 412 | | S | | 32501670 |
| 355/45 | 361 | 386 | | S | | 40501670 |
| 365/70 | 369 | 490 | | S | | 48561870 |
| 385/55 | 384 | 444 | | S | | 48561870 |

| TIRE SIZE | TIRE WIDTH mm | TIRE RADIUS mm | CENTRE DISTANCE mm | TIRE FITMENT | ALT. SUGGESTED MUDGUARD | FULL MUDGUARD 1/1 |
|---------------------------|---------------|----------------|--------------------|--------------|-------------------------|-----------------------|
| 18,5" HEAVY WEIGHT | | | | | | ARTICLE NUMBER |
| 275/65 | 284 | 411 | | S | | 35561870 |
| 275/80 | 285 | 453 | | S | | 35561870 |
| 355/60 | 362 | 446 | | S | | 48561870 |
| 365/70 | 369 | 490 | | S | | 48561870 |
| 385/55 | 384 | 444 | | S | | 48561870 |
| 19,5" HEAVY WEIGHT | | | | | | ARTICLE NUMBER |
| 7R | 185 | 400 | | S | | 24481570 |
| | | | 198 | D | | 44481530 |
| 8R | 216 | 397 | | S | | 27561870 |
| | | | 228 | D | | 50561870 |
| 9R | 250 | 423 | | S | | 27561870 |
| | | | 259 | D | | 53561870 |
| 9.5R | 235 | 452 | | S | | 30561870 |
| | | | 274-288 | D | | 55561870 |
| | | | | D | Alt. | 55561700 |
| 10R | 256 | 472 | | S | | 33561870 |
| | | | | D | | 55561870 |
| | | | | D | Alt. | 55561700 |
| 11R | 284 | 489 | | S | | 33561870 |
| | | | | D | | 55561870 |
| 12R | 305 | 508 | | S | | 40612000 |
| | | | | D | | 65612000 |
| 14R | 340 | 499 | | S | | 45612000 |
| 15R | 393 | 503 | | S | | 45612000 |
| 16.5R | 430 | 527 | | S | | 45612000 |
| 18R | 464 | 546 | | S | | 50612000 |
| 19.5 | 500 | 567 | | S | | 50612000 |
| 245/65 | 252 | 423 | | S | | 27561870 |
| 245/70 | 254 | 389 | 270 | D | | 55561700 |
| | | | | D | Alt. | 60561870 |
| 265/55 | 270 | 394 | | S | | 30561870 |
| 265/70 | 266 | 435 | 301 | D | | 62561700 |
| 385/55 | 384 | 444 | | S | | 51501670 |

| TIRE SIZE | TIRE WIDTH mm | TIRE RADIUS mm | CENTRE DISTANCE mm | TIRE FITMENT | ALT. SUGGESTED MUDGUARD | FULL MUDGUARD 1/1 |
|-------------------------|---------------|----------------|--------------------|--------------|-------------------------|-----------------------|
| 20" HEAVY WEIGHT | | | | | | ARTICLE NUMBER |
| 6.50R | 181 | 430 | | S | | 24481570 |
| | | | 208 | D | | 44481570 |
| 7.00R | 198 | 446 | | S | | 27561870 |
| | | | 216 | D | | 48561870 |
| 7.50R | 210 | 464 | | S | | 27561870 |
| | | | 239 | D | Alt. | 50561870 |
| | | | | D | | 53561870 |
| 8.25R | 233 | 485 | | S | | 30611700 |
| | | | 264 | D | | 55611700 |
| 9.00R | 266 | 471 | | S | | 30612000 |
| | | | 285-302 | D | | 62612000 |
| 10.00R | 284 | 485 | | S | | 37651900 |
| | | | 316 | D | | 65651960 |
| | | | | D | Alt. | |
| 10.5R | 278 | 476 | | S | | 35561870 |
| 11R | 290 | 545 | | S | | 37652260 |
| 12.00R | 315 | 515 | | S | | 37652260 |
| | | | | S | Alt. | |
| | | | 346-366 | D | | 67652260 |
| 12.5R | 334 | 518 | | S | | 40612000 |
| 12/80R | 305 | 504 | 329 | D | | 65612000 |
| 13.00R | 367 | 572 | | S | | 47651900 |
| 13/80R | 326 | 524 | | S | | 40612000 |
| | | | | S | Alt. | 42652260 |
| | | | | D | | 67652260 |
| | | | | D | Alt. | 67651900 |
| 14R | 374 | 625 | | S | | 47651900 |
| 14.5R | 367 | 551 | | S | | 45651960 |
| 14.75 / 80R | 367 | 572 | | S | | 45651960 |
| | | | | S | Alt. | 47652260 |
| 14/80R | 350 | 545 | | S | | 42652260 |
| | | | 355 | D | | 70651900 |
| 19.50R | 472 | 564 | | S | | 55651960 |
| D20 | 278 | 476 | | S | | 35612000 |
| D20 Pilote | 305 | 504 | | S | | 40612000 |
| E20 | 289 | 541-554 | | S | | 40612000 |
| E20 Pilote | 326 | 524 | | S | | 40612000 |
| F20 Pilote | 350 | 545 | | S | | 42652260 |
| | | | 355 | S | Alt. | |

| TIRE SIZE | TIRE WIDTH mm | TIRE RADIUS mm | CENTRE DISTANCE mm | TIRE FITMENT | ALT. SUGGESTED MUDGUARD | FULL MUDGUARD 1/1 |
|---------------------------|---------------|----------------|--------------------|--------------|-------------------------|-----------------------|
| 20" HEAVY WEIGHT | | | | | | ARTICLE NUMBER |
| 225/90 | 231 | 460 | | S | | 35561870 |
| 275/80 | 286 | 479 | | S | | 35561870 |
| 335/80 | 342 | 528 | | S | | 40612000 |
| 365/80 | 371 | 552 | | S | | 37651900 |
| 365/85 | 373 | 570 | | S | | 42651900 |
| 375/70 | 387 | 523 | | S | | 50561870 |
| 375/75 | 431 | 580 | | S | | 47651900 |
| 385/95 | 385 | 628 | | S | | 42651960 |
| 395/85 | 395 | 567 | | S | | 42651960 |
| 405/70 | 417 | 544 | | S | | 47651900 |
| 425/75 | 431 | 580 | | S | | 47651900 |
| 475/60 | 490 | 540 | | S | | 55612000 |
| 475/80 | 486 | 642 | | S | | 55651960 |
| 20,5" HEAVY WEIGHT | | | | | | ARTICLE NUMBER |
| 525/65 | 541 | 608 | | S | | 62652260 |
| | | | | S | Alt. | 62651900 |
| 605/70 | 621 | 689 | | S | | 67652260 |
| | | | | S | Alt. | 67651900 |
| 615/65 | 622 | 667 | | S | | 67652260 |
| | | | | S | Alt. | 67651900 |
| 22" HEAVY WEIGHT | | | | | | ARTICLE NUMBER |
| 10.00R | 275 | 551 | | S | | 35561700 |
| | | | 315 | D | | 62561700 |
| | | | | D | Alt. | 64561870 |
| 11.00R | 286 | 566 | | S | | 37652260 |
| | | | 328 | D | | 67652260 |
| 12R | 300-309 | 546 | | S | | 37652260 |
| | | | 328 | D | | 67652260 |
| E22 | 286 | 566 | | S | | 37652260 |
| 295/80 | 302-310 | 487 | 326-335 | D | | 70652260 |

| TIRE SIZE | TIRE WIDTH mm | TIRE RADIUS mm | CENTRE DISTANCE mm | TIRE FITMENT | ALT. SUGGESTED MUDGUARD | FULL MUDGUARD 1/1 |
|---------------------------|---------------|----------------|--------------------|--------------|-------------------------|-----------------------|
| 22,5" HEAVY WEIGHT | | | | | | ARTICLE NUMBER |
| 8R | 208-214 | 468 | | S | | 27561870 |
| | | | 237 | D | | 50561870 |
| 9R | 300 | 485 | | S | | 30612000 |
| | | | 260 | D | | 55612000 |
| 10R | 254-264 | 513 | | S | | 30612000 |
| | | | 277-286 | D | | 60612000 |
| | | | | D | Alt. | 62612000 |
| 11R | 282-290 | 525 | | S | | 37651900 |
| | | | 305-314 | D | | 67651900 |
| 12R | 304-312 | 542 | | | S | |
| | | | 329-338 | D | | 70651900 |
| | | | | D | Alt. | 70652260 |
| 13R | 318-326 | 562 | | S | | 37652260 |
| | | | 350-358 | D | | 70652260 |
| 15R | 387-399 | 537 | | S | | 45651960 |
| 16.5R | 425-438 | 561 | | S | | 47652260 |
| 18R | 457-471 | 580 | | S | | 50561870 |
| 9/70R | 229-236 | 448 | | S | | 35561870 |
| | | | | S | Alt. | 37651900 |
| 10/70R | 254-262 | 470 | | S | | 35561700 |
| | | | 286 | D | | 62561700 |
| 11/70R | 279-287 | 480 | 318 | D | | 65561870 |
| 12/70R | 305-320 | 504 | | S | | 37652260 |
| 13/70R | 330-340 | 520 | | S | | 37652260 |
| | | | | S | Alt. | 42652260 |
| | | | | S | Alt. | 45651960 |
| | | | | S | Alt. | 47652260 |
| | | | 350 | D | | 70652260 |
| D22.5 Pilote | 312 | 507 | | S | | 40612000 |
| E22.5 Pilote | 315 | 538 | | S | | 37652260 |
| 215/75 | 216 | 453 | | S | | 35561870 |
| 245/75 | 254 | 478 | | S | | 35561870 |
| 255/75 | 261 | 486 | | S | | 42652260 |

| TIRE SIZE | TIRE WIDTH mm | TIRE RADIUS mm | CENTRE DISTANCE mm | TIRE FITMENT | ALT. SUGGESTED MUDGUARD | FULL MUDGUARD 1/1 |
|---------------------------|---------------|----------------|--------------------|--------------|-------------------------|-----------------------|
| 22,5" HEAVY WEIGHT | | | | | | ARTICLE NUMBER |
| D22.5 Pilote | 312 | 507 | | S | | 40612000 |
| E22.5 Pilote | 315 | 538 | | S | | 37652260 |
| 215/75R | 216 | 453 | | S | | 35561870 |
| 245/75R | 254 | 478 | | S | | 35561870 |
| 255/75R | 261 | 486 | | S | | 42652260 |
| | | | 278-295 | D | | 60561870 |
| 255/70R | 260 | 468 | | S | | 30561870 |
| | | | 278-295 | D | | 60561870 |
| 265/60R | 269 | 448 | | S | | 35561870 |
| 275/70R | 276 | 479 | | S | | 35561870 |
| | | | 311 | D | | 60561870 |
| | | | | D | Alt. | 62612000 |
| 275/80R | 281 | 514 | 323 | D | | 65612000 |
| 285/60R | 293 | 463 | | S | | 35561870 |
| 295/55R | 296 | 451 | | S | | 35561870 |
| 295/60R | 300 | 467 | | S | | 37651900 |
| 295/70R | 304 | 497 | | S | | 35561870 |
| | | | | S | Alt. | 37651900 |
| | | | | D | | 65561870 |
| 295/75R | 304 | 509 | | S | | 35561870 |
| | | | | S | Alt. | 37651900 |
| 295/80R | 306 | 526 | | S | | 37651900 |
| | | | 344 | D | | 70651900 |
| 305/60R | 312 | 472 | | S | | 35561870 |
| 305/70R | 313 | 505 | | S | | 40612000 |
| | | | 317 | D | | 65612000 |
| 315/45R | 307 | 431 | | S | | 35561870 |
| 315/60R | 312 | 479 | | S | | 40612000 |
| 315/70R | 312 | 511 | | S | | 40612000 |
| | | | 348 | D | | 65612000 |
| 315/75R | 315 | 527 | | S | | 37652260 |
| 315/80R | 315 | 543 | | S | | 37652260 |
| | | | 355 | D | | 70652260 |
| | | | | S | Alt. | 37651900 |
| | | | 355 | D | Alt. | 70651900 |

| TIRE SIZE | TIRE WIDTH mm | TIRE RADIUS mm | CENTRE DISTANCE mm | TIRE FITMENT | ALT. SUGGESTED MUDGUARD | FULL MUDGUARD 1/1 |
|---------------------------|---------------|----------------|--------------------|--------------|-------------------------|-----------------------|
| 22,5" HEAVY WEIGHT | | | | | | ARTICLE NUMBER |
| 345/75 | 348 | 550 | | S | | 37652260 |
| 350/75 | 355 | 544 | | S | | 42652260 |
| 355/50 | 368 | 465 | | S | | 42652260 |
| 365/70 | 375 | 546 | | S | | 42652260 |
| | | | | S | Alt. | 45651960 |
| 375/50 | 381 | 463 | | S | | 48561870 |
| 375/90 | 378 | 629 | | S | | 42652260 |
| | | | | S | Alt. | 45651960 |
| 385/55 | 400 | 515 | | S | | 45612000 |
| 385/65 | 384 | 535 | | S | | 45651960 |
| | | | | S | Alt. | 42652260 |
| 415/45 | 423 | 474 | | S | | 48561870 |
| 425/65 | 420 | 563 | | S | | 47652260 |
| | | | | S | Alt. | 45612000 |
| 435/45 | 443 | 467 | | S | | 48561870 |
| 445/50 | 451 | 512 | | S | | 50612000 |
| 445/65 | 450 | 579 | | S | | 50612000 |
| 445/75 | 453 | 625 | | S | | 55612000 |
| 455/40 | 462 | 471 | | S | | 55612000 |
| 455/45 | 462 | 473 | | S | | 55612000 |
| 455/55 | 461 | 521 | | S | | 55612000 |
| 495/45 | 504 | 510 | | S | | 55612000 |
| 555/60 | 561 | 625 | | S | | 65651960 |

HBN MUDGUARDS

TECHNICAL SPECIFICATIONS

For Istoflex quality add "050-" in front of the article no., or "060-" for Greenflex quality.

| MUDGUARD | ANTI-SPRAY | X-LENGTH mm | Y-LENGTH mm | A-MEASURE mm | B = DISTANCE BETWEEN TOPFLEX mm | WIDTH mm | HEIGHT MUD- WING mm | SPAN mm | ARC LENGTH mm | RA- DIUS mm | WEIGHT WITH ANTI- SPRAY kg | WEIGHT WITHOUT ANTI- SPRAY kg | ABC- CODE |
|----------------------|--------------|----------------|----------------|-----------------|--|-------------|------------------------------|------------|---------------------|-------------------|--|---|--------------|
| Radius 650 mm | | | | | | | | | | | | | |
| 37652260-10AC | 091-414079 | 300 | 409 | 630 | 140 | 300 | 655 | 1220 | 2000 | 650 | 6,5 | 5,2 | B |
| 42652260-10AC | 091-414080 | 300 | 409 | 630 | 240 | 400 | 655 | 1220 | 2000 | 650 | 6,8 | 5,8 | B |
| 47652260-10AC | 091-434781 | 370 | 479 | 630 | 240 | 450 | 655 | 1220 | 2000 | 650 | 7,7 | 6,2 | C |
| 52652260-10AC | 091-483372 | 230 | 339 | 630 | 240 | 500 | 655 | 1220 | 2000 | 650 | 8,2 | 6,8 | D |
| 57652260-10AC | (091-553372) | 230 | 339 | 630 | 300 | 600 | 655 | 1220 | 2000 | 650 | 8,3 | 7,2 | D |
| 62652260-10AC | (091-633372) | 230 | 339 | 630 | 300 | 620 | 655 | 1220 | 2000 | 650 | 8,6 | 7,7 | C |
| 67652260-10AC | 091-663372 | 230 | 339 | 630 | 300 | 650 | 655 | 1220 | 2000 | 650 | 9,9 | 8,1 | A |
| 70652260-10AC | 091-683481 | 240 | 349 | 630 | 300 | 700 | 655 | 1220 | 2000 | 650 | 12,1 | 9,1 | B |
| 37651020-10AC | 091-414079 | 300 | | 630 | 140 | 300 | 750 | 540 | 1020 | 650 | 3,6 | 2,3 | B |
| 42651020-10AC | 091-414080 | 300 | | 630 | 240 | 400 | 750 | 540 | 1020 | 650 | 3,5 | 2,5 | B |
| 47651020-10AC | 091-434781 | 370 | | 630 | 240 | 450 | 750 | 540 | 1020 | 650 | 4,2 | 2,7 | C |
| 52651020-10AC | 091-483372 | 230 | | 630 | 240 | 500 | 750 | 540 | 1020 | 650 | 4,3 | 2,9 | D |
| 57651020-10AC | (091-553372) | 230 | | 630 | 300 | 600 | 750 | 540 | 1020 | 650 | 4,2 | 3,1 | D |
| 62651020-10AC | (091-633372) | 230 | | 630 | 300 | 620 | 750 | 540 | 1020 | 650 | 4,2 | 3,3 | C |
| 67651020-10AC | 091-663372 | 230 | | 630 | 300 | 650 | 750 | 540 | 1020 | 650 | 5,2 | 3,4 | A |
| 70651020-10AC | 091-683481 | 240 | | 630 | 300 | 700 | 750 | 540 | 1020 | 650 | 6,6 | 3,6 | B |
| 37650635-10AC | 091-414079 | 300 | | 375 | 140 | 300 | 530 | 315 | 635 | 650 | 3,0 | 1,7 | B |
| 42650635-10AC | 091-414080 | 300 | | 375 | 240 | 400 | 530 | 315 | 635 | 650 | 2,8 | 1,8 | B |
| 47650635-10AC | 091-434781 | 370 | | 375 | 240 | 450 | 530 | 315 | 635 | 650 | 3,4 | 1,9 | C |
| 52650635-10AC | 091-483372 | 230 | | 375 | 240 | 500 | 530 | 315 | 635 | 650 | 3,4 | 2,0 | D |
| 57650635-10AC | 091-554372 | 330 | | 375 | 300 | 600 | 530 | 315 | 635 | 650 | 3,2 | 2,1 | D |
| 62650635-10AC | 091-634474 | 340 | | 375 | 300 | 620 | 530 | 315 | 635 | 650 | 3,1 | 2,2 | C |
| 67650635-10AC | 091-663372 | 230 | | 375 | 300 | 650 | 530 | 315 | 635 | 650 | 4,1 | 2,3 | A |
| 70650635-10AC | 091-683481 | 240 | | 375 | 300 | 700 | 530 | 315 | 635 | 650 | 5,5 | 2,5 | B |
| 45651960-10AC | 091-434671 | 360 | 315 | 480 | 240 | 450 | 610 | 1300 | 1960 | 650 | 6,8 | 5 | A |
| 55651960-10AC | 091-555276 | 420 | 375 | 480 | 240 | 550 | 610 | 1300 | 1960 | 650 | 7,9 | 5,5 | C |
| 60651960-10AC | 091-554372 | 330 | 285 | 480 | 300 | 600 | 610 | 1300 | 1960 | 650 | 7,9 | 6,2 | C |
| 65651960-10AC | 091-634474 | 340 | 295 | 480 | 300 | 650 | 610 | 1300 | 1960 | 650 | 8,5 | 6,6 | A |
| 45650930-10AC | 091-434671 | 360 | | 480 | 240 | 450 | 610 | 580 | 930 | 650 | 4,3 | 2,5 | A |
| 55650930-10AC | 091-555276 | 420 | | 480 | 240 | 550 | 610 | 580 | 930 | 650 | 5,2 | 2,8 | C |
| 60650930-10AC | 091-554372 | 330 | | 480 | 300 | 600 | 610 | 580 | 930 | 650 | 4,8 | 3,1 | C |
| 65650930-10AC | 091-634474 | 340 | | 480 | 300 | 650 | 610 | 580 | 930 | 650 | 5,7 | 3,8 | A |
| 45650635-10AC | 091-434671 | 360 | | 375 | 240 | 450 | 530 | 315 | 640 | 650 | 3,6 | 1,8 | A |
| 55650635-10AC | 091-555276 | 420 | | 375 | 240 | 550 | 530 | 315 | 640 | 650 | 4,4 | 2 | C |
| 60650635-10AC | 091-554372 | 330 | | 375 | 300 | 600 | 530 | 315 | 640 | 650 | 3,9 | 2,2 | C |
| 65650635-10AC | 091-634474 | 340 | | 375 | 300 | 650 | 530 | 315 | 640 | 650 | 4,3 | 2,4 | A |
| Radius 610 mm | | | | | | | | | | | | | |
| 30612000-10 | NA | NA | NA | 500 | 140 | 300 | 655 | 1220 | 2000 | 610 | | 4,1 | D |
| 40612000-10AC | 091-414079 | 300 | 345 | 500 | 140 | 400 | 655 | 1220 | 2000 | 610 | 6,2 | 4,9 | B |
| 45612000-10AC | 091-433567 | 250 | 295 | 500 | 240 | 450 | 655 | 1220 | 2000 | 610 | 6,4 | 5,2 | A |
| 50612000-10AC | 091-483564 | 250 | 295 | 500 | 240 | 500 | 655 | 1220 | 2000 | 610 | 6,8 | 5,6 | D |
| 60612000-10AC | 091-554372 | 330 | 375 | 500 | 300 | 600 | 655 | 1220 | 2000 | 610 | 8,2 | 6,5 | D |
| 62612000-10AC | 091-633565 | 250 | 295 | 500 | 300 | 620 | 655 | 1220 | 2000 | 610 | 8,6 | 6,6 | C |
| 65612000-10AC | 091-633161 | 210 | 255 | 500 | 300 | 650 | 655 | 1220 | 2000 | 610 | 8,5 | 6,8 | B |
| 70612000-10AC | 091-685174 | 410 | 455 | 500 | 300 | 700 | 655 | 1220 | 2000 | 610 | 9,5 | 7,6 | D |
| 30610910-10 | NA | NA | | 500 | 140 | 300 | 650 | 515 | 910 | 610 | | 2,1 | D |
| 40610910-10AC | 091-414079 | 300 | | 500 | 140 | 400 | 650 | 515 | 910 | 610 | 3,8 | 2,5 | B |
| 45610910-10AC | 091-433567 | 250 | | 500 | 240 | 450 | 650 | 515 | 910 | 610 | 4,0 | 2,6 | A |
| 50610910-10AC | 091-483564 | 250 | | 500 | 240 | 500 | 650 | 515 | 910 | 610 | 4,4 | 2,8 | D |
| 60610910-10AC | 091-554372 | 330 | | 500 | 300 | 600 | 650 | 515 | 910 | 610 | 5,8 | 3,3 | D |
| 62610910-10AC | 091-633565 | 250 | | 500 | 300 | 620 | 650 | 515 | 910 | 610 | 6,2 | 3,3 | C |
| 65610910-10AC | 091-633161 | 210 | | 500 | 300 | 650 | 650 | 515 | 910 | 610 | 6,1 | 3,4 | B |
| 70610910-10AC | 091-685174 | 410 | | 500 | 300 | 700 | 650 | 515 | 910 | 610 | 7,1 | 3,8 | D |
| 30610630-10 | NA | NA | | 375 | 140 | 300 | 510 | 330 | 630 | 610 | | 1,4 | D |
| 40610630-10AC | 091-414079 | 300 | | 375 | 140 | 400 | 510 | 330 | 630 | 610 | 3,0 | 1,7 | B |
| 45610630-10AC | 091-433567 | 250 | | 375 | 240 | 450 | 510 | 330 | 630 | 610 | 3,0 | 1,8 | A |
| 50610630-10AC | 091-483564 | 250 | | 375 | 240 | 500 | 510 | 330 | 630 | 610 | 3,2 | 2,0 | D |
| 60610630-10AC | 091-554372 | 330 | | 375 | 300 | 600 | 510 | 330 | 630 | 610 | 4,0 | 2,3 | D |
| 62610630-10AC | 091-633565 | 250 | | 375 | 300 | 620 | 510 | 330 | 630 | 610 | 4,3 | 2,3 | C |
| 65610630-10AC | 091-633161 | 210 | | 375 | 300 | 650 | 510 | 330 | 630 | 610 | 4,1 | 2,4 | B |
| 70610630-10AC | 091-685174 | 410 | | 375 | 300 | 700 | 510 | 330 | 630 | 610 | 4,6 | 2,7 | D |

| MUDGUARD | ANTI-SPRAY | X-LENGTH mm | Y-LENGTH mm | A-MEASURE mm | B = DISTANCE BETWEEN TOPFLEX mm | WIDTH mm | HEIGHT MUD-WING mm | SPAN mm | ARC LENGTH mm | RA-DIUS mm | WEIGHT WITH ANTI-SPRAY kg | WEIGHT WITHOUT ANTI-SPRAY kg | ABC-CODE |
|----------------------|------------|-------------|-------------|--------------|---------------------------------|----------|--------------------|---------|---------------|------------|---------------------------|------------------------------|----------|
| Radius 560 mm | | | | | | | | | | | | | |
| 27561870-10 | NA | NA | NA | 575 | 140 | 270 | 615 | 1120 | 1870 | 560 | | 3,4 | C |
| 30561870-10 | NA | NA | NA | 575 | 140 | 300 | 615 | 1120 | 1870 | 560 | | 3,7 | D |
| 35561870-10 | NA | NA | NA | 575 | 140 | 350 | 615 | 1120 | 1870 | 560 | | 3,9 | B |
| 48561870-10AC | 091-483564 | 250 | 295 | 575 | 240 | 480 | 615 | 1120 | 1870 | 560 | 6,2 | 4,8 | D |
| 50561870-10AC | 091-483059 | 200 | 245 | 575 | 240 | 500 | 615 | 1120 | 1870 | 560 | 6,1 | 5 | C |
| 53561870-10AC | 091-483564 | 250 | 295 | 575 | 240 | 530 | 615 | 1120 | 1870 | 560 | 6,3 | 5,1 | C |
| 55561870-10AC | 091-553050 | 200 | 245 | 575 | 240 | 550 | 615 | 1120 | 1870 | 560 | 6,5 | 5,3 | B |
| 58561870-10AC | 091-553050 | 200 | 245 | 575 | 240 | 580 | 615 | 1120 | 1870 | 560 | 6,7 | 5,5 | D |
| 60561870-10AC | 091-554372 | 330 | 375 | 575 | 300 | 600 | 615 | 1120 | 1870 | 560 | 7,3 | 5,6 | C |
| 62561870-10AC | 091-634474 | 340 | 385 | 575 | 300 | 620 | 615 | 1120 | 1870 | 560 | 8 | 6,1 | A |
| 65561870-10AC | 091-634474 | 340 | 385 | 575 | 300 | 650 | 615 | 1120 | 1870 | 560 | 8,4 | 6,5 | C |
| 27560910-10 | NA | NA | | 500 | 140 | 270 | 615 | 540 | 910 | 560 | | 2,2 | C |
| 30560910-10 | NA | NA | | 500 | 140 | 300 | 615 | 540 | 910 | 560 | | 2,4 | C |
| 35560910-10 | NA | NA | | 500 | 140 | 350 | 615 | 540 | 910 | 560 | | 2,5 | D |
| 48560910-10AC | 091-483564 | 250 | | 500 | 240 | 480 | 615 | 540 | 910 | 560 | 4,3 | 2,9 | B |
| 50560910-10AC | 091-483059 | 200 | | 500 | 240 | 500 | 615 | 540 | 910 | 560 | 4,1 | 3 | D |
| 53560910-10AC | 091-483564 | 250 | | 500 | 240 | 530 | 615 | 540 | 910 | 560 | 4,3 | 3,1 | C |
| 55560910-10AC | 091-553050 | 200 | | 500 | 240 | 550 | 615 | 540 | 910 | 560 | 4,4 | 3,2 | C |
| 58560910-10AC | 091-553050 | 200 | | 500 | 240 | 580 | 615 | 540 | 910 | 560 | 4,5 | 3,3 | B |
| 60560910-10AC | 091-554372 | 330 | | 500 | 300 | 600 | 615 | 540 | 910 | 560 | 5 | 3,3 | B |
| 62560910-10AC | 091-634474 | 340 | | 500 | 300 | 620 | 615 | 540 | 910 | 560 | 5,5 | 3,6 | A |
| 65560910-10AC | 091-634474 | 340 | | 500 | 300 | 650 | 615 | 540 | 910 | 560 | 5,7 | 3,8 | B |
| 27560605-10 | NA | NA | | 350 | 140 | 270 | 490 | 330 | 605 | 560 | | 1,4 | C |
| 30560605-10 | NA | NA | | 350 | 140 | 300 | 490 | 330 | 605 | 560 | | 1,4 | C |
| 35560605-10 | NA | NA | | 350 | 140 | 350 | 490 | 330 | 605 | 560 | | 1,5 | D |
| 48560605-10AC | 091-483564 | 250 | | 350 | 240 | 480 | 490 | 330 | 605 | 560 | 3,2 | 1,8 | B |
| 50560605-10AC | 091-483059 | 200 | | 350 | 240 | 500 | 490 | 330 | 605 | 560 | 2,9 | 1,8 | D |
| 53560605-10AC | 091-483564 | 250 | | 350 | 240 | 530 | 490 | 330 | 605 | 560 | 3,1 | 1,9 | C |
| 55560605-10AC | 091-553050 | 200 | | 350 | 240 | 550 | 490 | 330 | 605 | 560 | 3,1 | 1,9 | C |
| 58560605-10AC | 091-553050 | 200 | | 350 | 240 | 580 | 490 | 330 | 605 | 560 | 3,2 | 2 | B |
| 60560605-10AC | 091-554372 | 330 | | 350 | 300 | 600 | 490 | 330 | 605 | 560 | 3,7 | 2 | B |
| 62560605-10AC | 091-634474 | 340 | | 350 | 300 | 620 | 490 | 330 | 605 | 560 | 4,1 | 2,2 | A |
| 65560605-10AC | 091-634474 | 340 | | 350 | 300 | 650 | 490 | 330 | 605 | 560 | 4,2 | 2,3 | C |
| Radius 500 mm | | | | | | | | | | | | | |
| 27501670-10 | NA | NA | NA | 535 | 140 | 270 | 550 | 1000 | 1670 | 500 | | 2,9 | B |
| 32501670-10 | NA | NA | NA | 535 | 140 | 320 | 550 | 1000 | 1670 | 500 | | 3,2 | B |
| 40501670-10AC | 091-414079 | 300 | 350 | 535 | 140 | 400 | 550 | 1000 | 1670 | 500 | 4,8 | 3,5 | D |
| 51501670-10AC | 091-482348 | 130 | 180 | 535 | 240 | 510 | 550 | 1000 | 1670 | 500 | 5 | 4,1 | B |
| 54501670-10AC | 091-553050 | 200 | 250 | 535 | 240 | 540 | 550 | 1000 | 1670 | 500 | 5,5 | 4,3 | B |
| 27500815-10 | NA | NA | | 500 | 140 | 270 | 550 | 470 | 815 | 500 | | 2 | B |
| 32500815-10 | NA | NA | | 500 | 140 | 320 | 550 | 470 | 815 | 500 | | 2,1 | B |
| 40500815-10AC | 091-414079 | 300 | | 500 | 140 | 400 | 550 | 470 | 815 | 500 | 3,6 | 2,3 | D |
| 51500815-10AC | 091-482348 | 130 | | 500 | 240 | 510 | 550 | 470 | 815 | 500 | 3,5 | 2,6 | B |
| 54500815-10AC | 091-553050 | 200 | | 500 | 240 | 540 | 550 | 470 | 815 | 500 | 3,9 | 2,7 | B |
| 27500530-10 | NA | NA | | 275 | 140 | 270 | 430 | 285 | 530 | 500 | | 1,6 | B |
| 32500530-10 | NA | NA | | 275 | 140 | 320 | 430 | 285 | 530 | 500 | | 1,7 | B |
| 40500530-10AC | 091-414079 | 300 | | 275 | 140 | 400 | 430 | 285 | 530 | 500 | 3,2 | 1,9 | D |
| 51500530-10AC | 091-482348 | 130 | | 275 | 240 | 510 | 430 | 285 | 530 | 500 | 3,1 | 2,2 | B |
| 54500530-10AC | 091-553050 | 200 | | 275 | 240 | 540 | 430 | 285 | 530 | 500 | 3,5 | 2,3 | B |
| Radius 400mm | | | | | | | | | | | | | |
| 20401285 | | | | | | 200 | 415 | 800 | 1285 | 400 | | 1 | D |
| 22401285 | | | | | | 220 | 415 | 800 | 1285 | 400 | | 1,1 | C |
| 24401285 | | | | | | 240 | 415 | 800 | 1285 | 400 | | 1,2 | |
| 26401285 | | | | | | 260 | 415 | 800 | 1285 | 400 | | 1,6 | C |
| 42401285 | | | | | | 420 | 415 | 800 | 1285 | 400 | | 1,9 | C |
| 45401285 | | | | | | 450 | 415 | 800 | 1285 | 400 | | 2 | D |

HBN SUPPORTS AND GROWS YOUR BUSINESS

HBN-Teknik A/S provides the best possible support for your business. There are no compromises – your needs come first. We listen to you, adapt our solutions to your specific requirements, and are there for you whatever happens. For us at HBN, this means: We think transport.

If you have any inquiries to HBN, please contact us whenever you need our advice or support as follow:

Reception

General questions
+45 5761 1700
hbn@hbn.dk

Customer Center

Orders, logistics, drawings
+45 25 97 89 98
sales@hbn.dk

Quality

Claims, Quality issues
+45 53 75 33 65
qa@hbn.dk

What to find at www.hbn.dk

- | Text and pictures of the major subjects
- | Extended company information
- | Detailed product information, inclusive 2D drawings and 3D-stepfiles on selected articles
- | Mudguard finder, based on tire size
- | Download of catalogues and leaflets in different languages
- | Extended contact information

Automotive Solutions in Composite

HBN-Teknik A/S
Bragesvej 16
4100 Ringsted
Denmark
www.hbn.dk

08/2018



The brands of the BPW Group

